



T80

Rack Actuator - Thrust Force 800N

Max. Stroke 1000 mm

Possibility to connect more push points on the same window frame either mechanically by transmission rod or electronically through synchronisation unit.



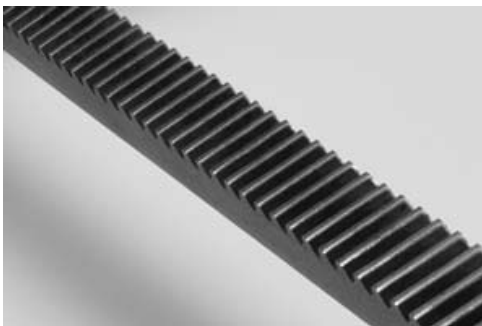
Fast installation also without power assured by the steel bracket easily adjustable along the dovetail guides.



High protection degree IP55.

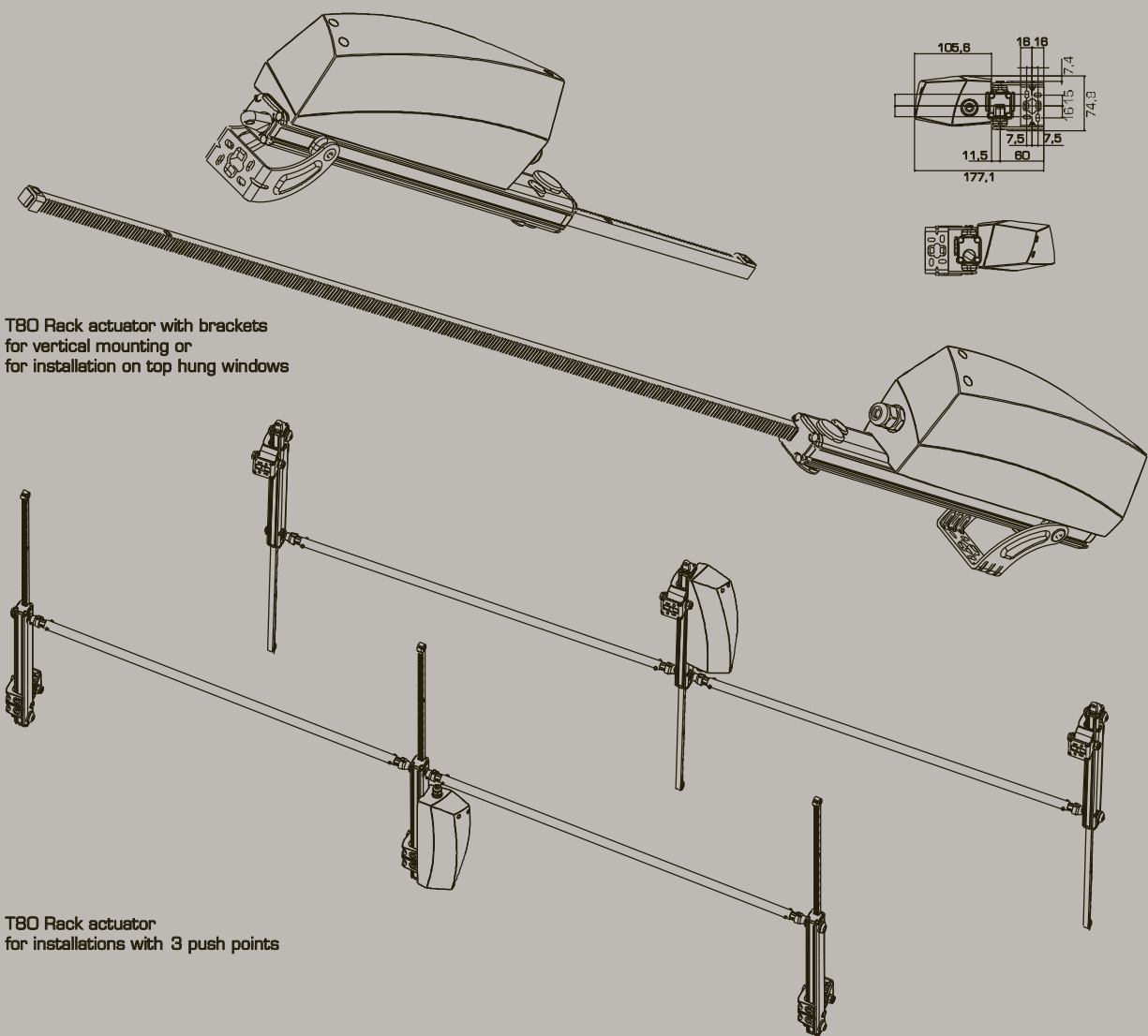


Special rack with very high resistance on top loads.



Innovative design.



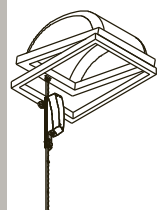
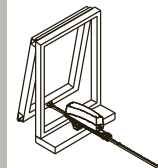
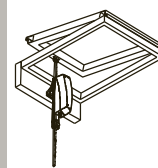
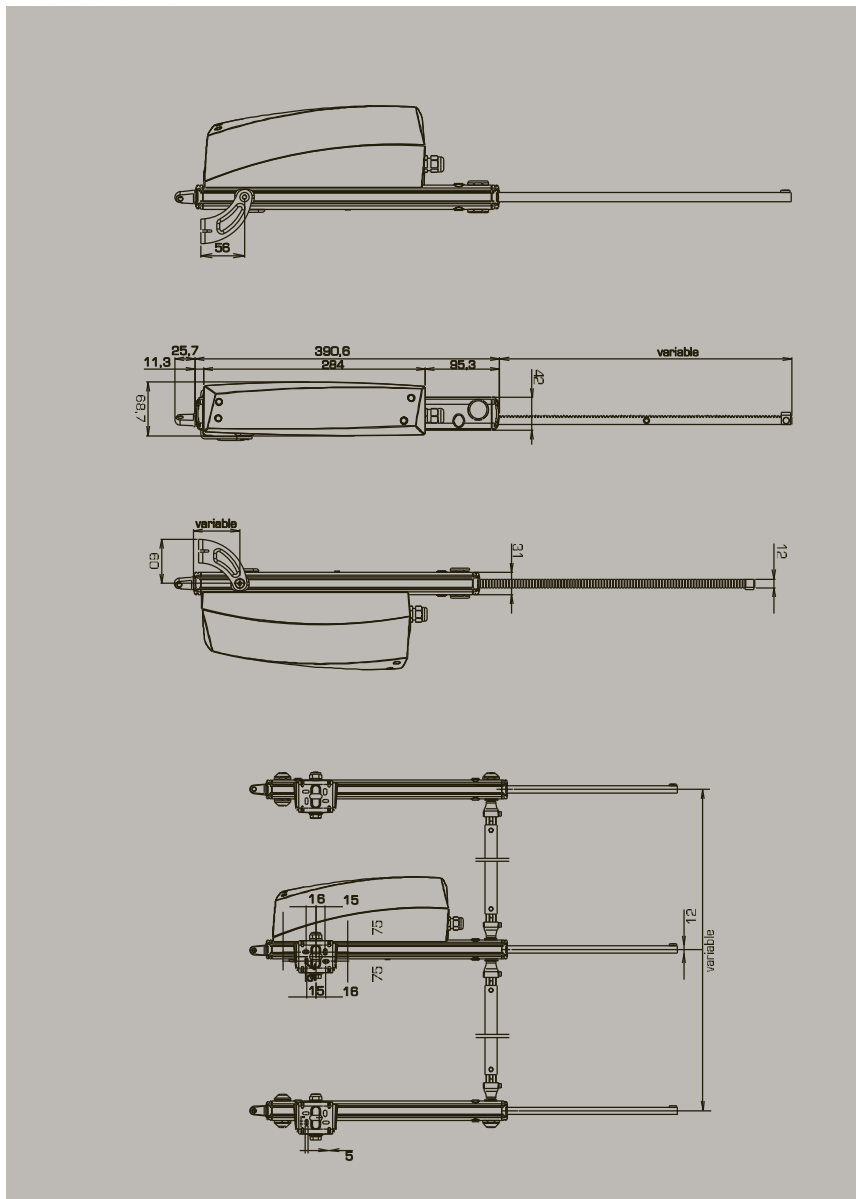


T80 Rack actuator with brackets for vertical mounting or for installation on top hung windows

T80 Rack actuator for installations with 3 push points

Technical characteristics

	T80/230	T80/24
Power supply voltage	230V~50Hz	24V d.c.
Max recommended load in thrust/traction		800N
Max recommended load with 2 push point (1 master + 1 slave)		750N
Max recommended load with 3 push point (1 master + 2 slaves)		700N
Available Strokes	180 - 230 - 350 - 550 - 750 - 1000 mm	
Absorbed current at max. load (80 kg)	0,35 A	
Idle translation speed	12 mm/s	
Duration of the idle stroke	(stroke / idle translation speed)	
Double insulation	yes	-
Service type	S2 of 4 min	
Operating temperature	- 5 +55° C	
Protection degree of electric devices	IP 55	
Connection of two or more actuators in parallel	yes	
Stroke end	electronic	
Dimensions	variable from 571,6 to 1391,6x68,7x137,4 mm	



Description for technical specifications

Electrical linear actuator Topp model T80, with tilting self-aligning movement,
with rack, with brackets and accessories for top hung windows.
Operation at 230V~50Hz or, as an alternative, at 24V DC.
Max. traction and thrust force 800N.
Pre-set for the mechanical or electronic connection of two or more push points.
Limit switch by Diodo hall. CE marked device complying with the
following directives: EEC 89/336, EEC 73/23
and following amendments.



Danish Seller

Swissdoor ApS
Stenhuggervej 2
5471 Soendersoe
Denmark
VAT nr.: 32084222
Tlf. nr.: +45 8628 0000
mail@swissdoor.dk
www.swissdoor.dk