



# C40

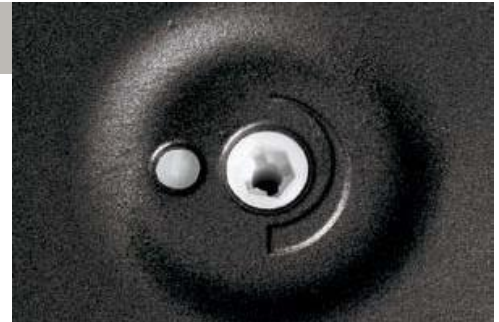
Chain actuator – Thrust force 400N – Max stroke 500 mm



Double link chain with very high resistance on top loads



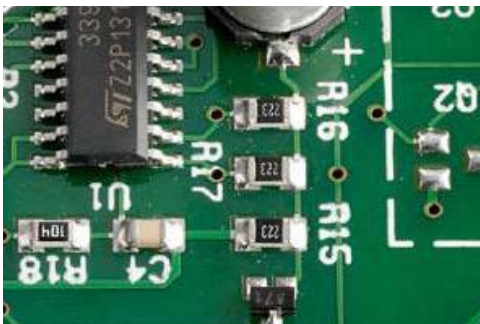
Adjustment of the stroke in 7 positions from 100 to 500 mm.



Fast hooking and unhooking system to the window (international patent).

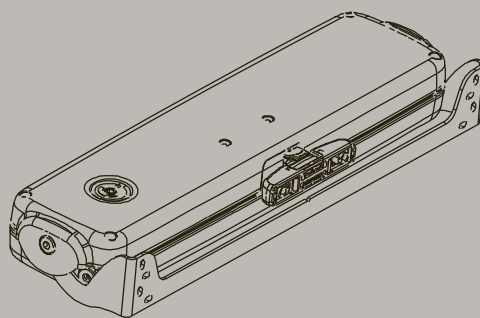


End of stroke in closure by current absorption, to avoid adjustments in closure and possible positioning errors of the actuator.

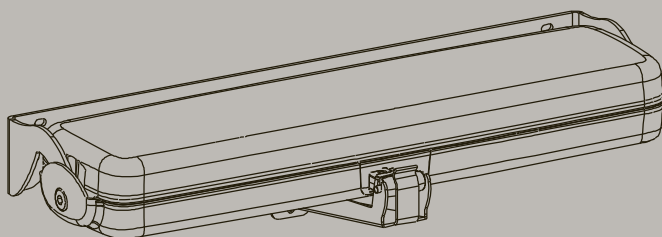


High protection degree IP 55.

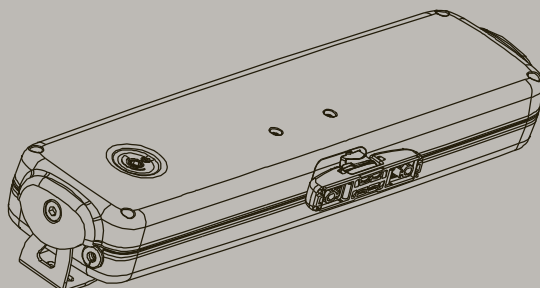




C40 Chain actuator with top hung bracket



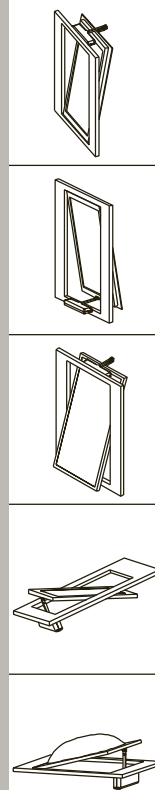
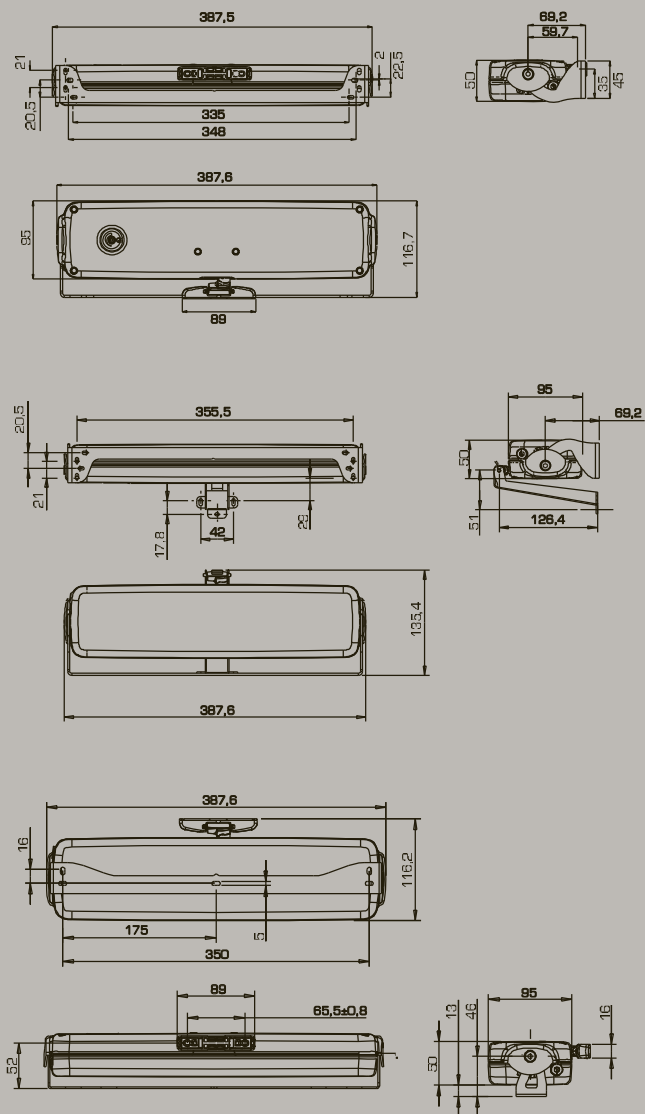
C40 Chain actuator with bottom hung brackets



C40 Chain actuator with vertical mounting bracket

## Technical characteristics

	C40/230	C40/24
Power supply voltage	230V~50Hz	24V d.c.
Maximum applicable load in thrust		400 N
Maximum applicable load in traction		400 N
Strokes (may be selected in any moment)	100, 150, 200, 250, 300, 400, 500 mm	
Absorbed current	0,24 A	1,1 A
Idle translation speed	18,5 mm/s	10,5 mm/s
Duration of the idle stroke	27 s	48 s
Double electric insulation	yes	-
Service type	S2 of 5 min.	S2 of 8 min.
Operating temperature		- 5 +50° C
Protection degree of electric devices		IP 55
Adjustment of the window frame connection		not necessary
Connection in parallel of two or more actuators		yes
Connection and synchronization of two C40* on the same window		only with control unit USA 2
Chain position control		yes
End of stroke		electronic in opening - with current absorption in closing
Electronics with acoustic device to warn the user of wrong installation		yes
Dimensions	387,6x95x50 mm	
Weight** of installed equipment	1,9 Kg	
* minimum distance among the two motors: 1500 mm		
**the weight indicated in the table is subject to eventual variations according to the accessories chosen		



## Description for technical specifications

Electric actuator TOPP, model C40 with double link articulated chain, contained in a suitable

casing, complete with support and fitting accessories for top and bottom hung windows

Operation at 230V~ 50Hz or, as an alternative, at 24 V d.c. Maximum applicable load 400N.

Rapid hooking for the adjustment to the frame. Max stroke 50 cm. Electronic adjustment of

the end of stroke at 10, 15, 20,25, 30, 40, 50 cm. by an external handgrip.

Stroke-end in closure through current absorption. Safety device for traction

force reduction in the last 10 cm. Protection degree of electric devices IP 55. If required,

pre-set version for the USA2 synchronization unit available, for the simultaneous running of

2 actuators on the same window. CE marked device complying with the

following directives: EEC 89/336, EEC 73/23 and following amendments.

**C40 TOPP** 151  
movement technologies

**Danish Seller**

**Swissdoor ApS**

Stenhuggervej 2

5471 Soendersoe

Denmark

VAT nr.: 32084222

Tlf. nr.: +45 8628 0000

mail@swissdoor.dk

www.swissdoor.dk