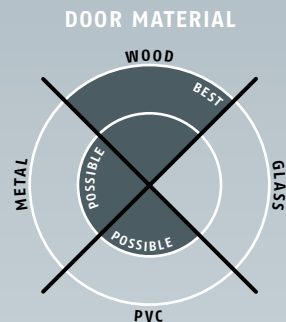


# Planet ZA (for driving bar rods $\varnothing 10$ mm)

→ 15 x 30 mm | ↓ 22 mm | ≪ 48 dB



## Main features

- Perfect for **double leaf doors** with **driving bar rod  $\varnothing 10$  mm**, appropriate for **RC 2** and **RC 3**
- for inactive leaf with drill hole or for active and inactive leaf **in pairs** available.
- Seal height up to **↓ 22 mm**
- Acoustic insulation up to **≪ 48 dB** in case of an optimal sealing
- Protected silicone lips since deeper embedded
- Door can be adapted on bottom without removal
- Unilateral and soundless release, silent seal
- Due to parallel drop-down no trailing on the floor
- Automatic compensation at inclined floors
- High-grade silicone lip, simple lift height adjustment
- Can be shortened up to the next shorter length on stock
- No extra need to cut off silicone at both ends
- 7 years warranty

## Versions / options

- Planet ZA → **RD** ≪ 48 dB, smoke-shielding
- Planet ZA → **FH+RD** ≪ 48 dB, fire-retardant + smoke-shielding
- Silicone lip extended by 8 mm
- Anti-bacterial silicone lip is optional
- Possibility of silicone-free (TPE) execution
- Special versions on request

## Door types with Planet ZA



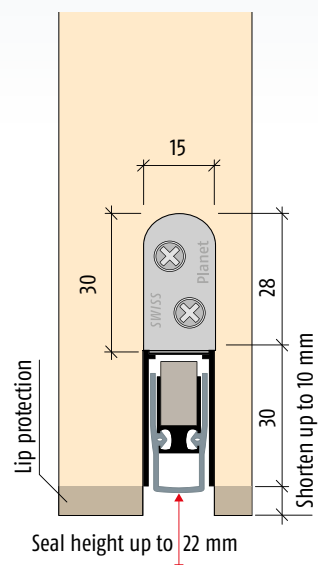
Double leaf doors → refer to chapter Accessories | Flush bolt, drilling

## More functions



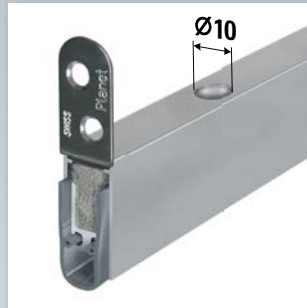
## Technical specifications

Profile material	aluminum, → 15 x 30 mm
Groove size	width 15,1 mm with depth 30,5 up to 40 mm
Seal profile	high-grade silicone or high-grade self-extinguishing silicone
Seal height	up to ↓ 22 mm
Sound absorption value	up to ≪ 48 dB at 7 mm space to the floor; up to ≪ 42 dB at 18 mm space to the floor
Lift height adjustment	on the release knob with an Allen key 3 mm
Lengths in stock	335, 460, 585, 710, 835, 960, 1085, 1210, 1335, 1460 mm
Special lengths	on request up to 6000 mm for wing- and sliding doors
Release	unilaterally on hinge side
Can be shortened	up to the maximum of 125 mm (335 mm only 115 mm)
Fastening	on the side with stainless steel angle brackets and screws
Frame protector plate	stainless, hammer fixed, 20 x 20 mm
Test approvals	on request





**Option:** Planet ZA with driving bar rod Ø10 mm → refer to chapter Accessories | driving bar rods



**Option:** Planet ZA with Planet drill hole Ø10 mm for driving bar rod Ø10 mm → refer to chapter Accessories | driving bar rods



Planet assembly set ZA



**Option:** Planet ZA: silicone lip extended by 8 mm, with fastening brackets, release side

Order specifications

<b>Planet ZA → RD</b> ≤ 48 dB incl. assembly set ZA	Prod. code 100xxx*
<b>Planet ZA → FH+RD</b> ≤ 48 dB incl. assembly set ZA	Prod. code 101xxx*

\* xxx = refer to price list for profile length

Accessories | Options

<b>Planet Montageset ZA</b> incl. 2 fastening brackets (stainless), 4 screws and frame protector plate, type 1 (stainless)	Prod. code 900927
<b>Planet frame protector plate</b> type 1 (stainless); possible type 2/3/4/5 → refer to chapter Accessories   Options	Prod. code 900014
<b>Cut the Planet to fix dimension</b>	Prod. code 900200
<b>Planet drill hole Ø10 mm for ZA</b>	Prod. code 900926
<b>Planet BM floor strikes</b> → refer to chapter Accessories   BM	Prod. code 90034x-x Prod. code 90027x-x

x-x = Several Planet Floor strikes available in different adjustment range refer to chapter Accessories | BM

Advertising text



**Planet ZA → RD (smoke-shielding) ≤ 48 dB**  
Automatic door drop-down seal **Planet ZA → RD ≤ 48 dB**, for sound absorption and smoke-shielding doors, release on hinge side with automatic compensation in case of an inclined floor, parallel drop-down, seal height up to ↓ 22 mm, flush or deeper to put in groove with lip protection. Silicone lip, lateral fastening. Aluminum profile → 15 x 30 mm.

Advertising text



**Planet ZA → FH+RD (fire-retardant + smoke-shielding) ≤ 48 dB**  
Automatic door drop-down seal **Planet ZA → FH+RD ≤ 48 dB**, for sound protection-, smoke-shielding and fire-retardant doors, release on hinge side with automatic compensation in case of an inclined floor, parallel drop-down, seal height up to ↓ 22 mm, flush or deeper to put in groove with lip protection. Lateral fastening, self-extinguishing silicone lip. Aluminum profile → 15 x 30 mm.