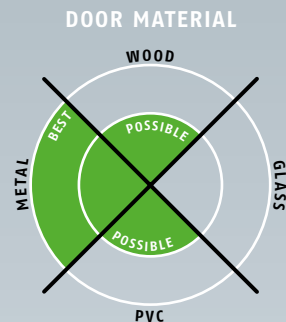


# Planet TW → 8 x 20 mm | ↓ 12 mm | ≤ 49 dB



## Main features

- Seal height up to ↓ 12 mm
- Acoustic insulation up to ≤ 49 dB in case of an optimal sealing
- Especially for narrow doors or limited space
- Unilateral and soundless release, silent seal
- Due to parallel drop-down no trailing on the floor
- Automatic compensation at inclined floors
- High-grade silicone lip, simple lift height adjustment
- Can be shortened up to the next shorter length on stock
- No extra need to cut off silicone at both ends
- 7 years warranty

## Versions / options

- Planet TW → RD ≤ 49 dB, smoke-shielding
- Planet TW → FH+RD ≤ 49 dB, fire-retardant + smoke-shielding
- Option sliding door ≤ 48 dB
- Option bevel lip ≤ 48 dB, up to ↓ 16 mm, for uneven floors
- Special versions on request



## Door types with Planet TW

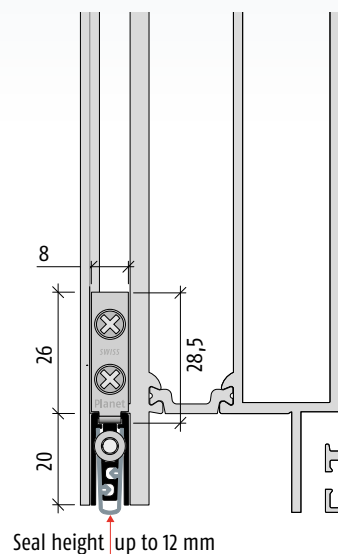


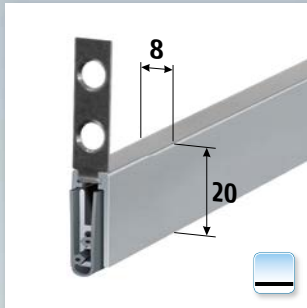
## More functions



## Technical specifications

Profile material	aluminum, → 8 x 20 mm
Groove size	width 8,1 mm with depth 20,5 mm
Seal profile	high-grade silicone or high-grade self-extinguishing silicone
Seal height	up to ↓ 12 mm
Sound absorption value	up to ≤ 49 dB at 7 mm space to the floor
Lift height adjustment	on the release knob with an Allen key 3 mm
Lengths in stock	460, 585, 710, 835, 960, 1085, 1210, 1335, 1460, 1585 mm
Special lengths	on request up to 6000 mm for wing- and sliding doors
Release	unilaterally on hinge side
Can be shortened	up to the maximum of 125 mm
Fastening	on the side with stainless steel angle brackets and screws
Frame protector plate	stainless, hammer fixed, 20 x 20 mm
Test approvals	on request





Profile Planet TW with fastening brackets for metal



Planet TW with fastening brackets for metal, release side



**Option:** Planet TW with fastening brackets for metal, bevel lip



Planet assembly set TW/US for metal doors (standard)



**Option:** profile Planet TW with fastening brackets for wood



**Option:** Planet TW with fastening brackets for wood, release side



**Option:** Planet TW with fastening brackets for wood, bevel lip for uneven floors



**Option:** Planet assembly set TW/US for wooden doors

### Order specifications

<b>Planet TW → RD</b> ≤ 49 dB incl. Planet assembly set TW/US	Prod. code 20xxx*
<b>Planet TW → FH+RD</b> ≤ 49 dB incl. Planet assembly set TW/US	Prod. code 21xxx*

\* xxx = refer to price list for profile length

### Accessories | Options

<b>Sliding door</b>	Prod. code 900908
<b>Planet assembly set TW/US for metal</b> incl. 2 fastening brackets (stainless), 4 screws and frame protector plate, type 1 (stainless)	Prod. code 900671
<b>Planet assembly set TW/US for wood</b> incl. 2 fastening brackets (stainless), 4 screws and frame protector plate, type 1 (stainless)	Prod. code 900669
<b>Planet frame protector plate</b> type 1 (stainless); possible type 2/3/4/5 → refer to chapter Accessories   Options	Prod. code 900014
<b>Cut the Planet to fix dimension</b>	Prod. code 900200
<b>Bevel lip</b> (≤ 48 dB, up to ↓ 16 mm) DIN L or DIN R	refer to price list, options / supplements

### Advertising text



**Planet TW → RD (smoke-shielding)** ≤ 49 dB  
Automatic door drop-down seal **Planet TW → RD** ≤ 49 dB, for sound absorption and smoke-shielding doors, release on hinge side with automatic compensation in case of an inclined floor, parallel drop-down, seal height up to ↓ 12 mm. Lateral fastening, lip from silicone. Aluminum profile → 8 x 20 mm.

### Advertising text



**Planet TW → FH+RD (fire-retardant + smoke-shielding)** ≤ 49 dB  
Automatic door drop-down seal **Planet TW → FH+RD** ≤ 49 dB, for sound protection-, smoke-shielding and fire-retardant doors, release on hinge side with automatic compensation in case of an inclined floor, parallel drop-down, seal height up to ↓ 12 mm. Lateral fastening, self-extinguishing silicone lip. Aluminum profile → 8 x 20 mm.