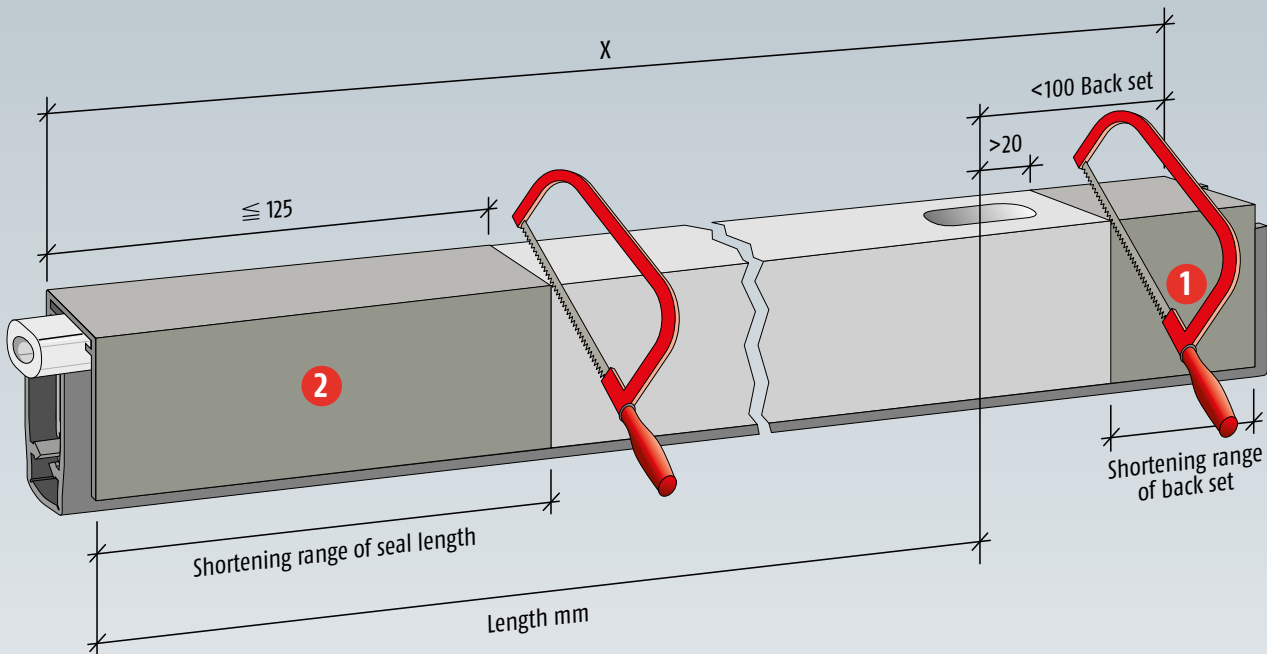
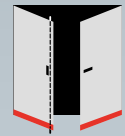


Planet TR 125 double-shortening

→ for double doors – hinged, shelf life related, prepared drill holes



Main features

- Shelf life related to dealers and system manufacturers
- Prepared drill hole, factory-made
- Adaptable back set
- Can be shortened by 125 mm or 100 mm
- Applicable as DIN L and DIN R
- All features of the seal are unchanged
- Available for order: Planet FT, HS, RH, RF, MF, RO, RS, PU, HS-plus, FT-plus, MF-plus, RO-plus, RS-plus, PU-plus

Correct order of shortening

- 1 At first shorten the back set
- 2 After that shorten the seal length

Order specifications

Planet double-shortening

- Planet type: Prod. code
- Length of Planet
- Back set 20–100 mm
- Drill hole $\varnothing 5 \times 13$ mm, $\varnothing 10$ mm, $\varnothing 8$ mm

Prod. code 900390

Seals appropriate for option double-shortening

Planet type	RD	FH+RD	Length mm	Back set mm	X mm	Possible drill hole
HS	●	●	335 – 1460	20 – 100		$\varnothing 5 \times 13$ mm, $\varnothing 8$ mm
RH	●	●	335 – 1460	20 – 100		$\varnothing 5 \times 13$ mm, $\varnothing 8$ mm
FT	●	●	350 – 1350	20 – 100		$\varnothing 5 \times 13$ mm, $\varnothing 8$ mm
RF	●	●	350 – 1350	20 – 100		$\varnothing 5 \times 13$ mm, $\varnothing 8$ mm
HS-plus	●	●	335 – 1460	20 – 100		$\varnothing 5 \times 13$ mm, $\varnothing 8$ mm
FT-plus	●	●	350 – 1350	20 – 100		$\varnothing 5 \times 13$ mm, $\varnothing 8$ mm
MF	●	●	460 – 1585	20 – 100		$\varnothing 5 \times 13$ mm, $\varnothing 10$ mm
RO	●	●	460 – 1585	20 – 100		$\varnothing 5 \times 13$ mm, $\varnothing 10$ mm
RS	●	●	460 – 1585	20 – 100		$\varnothing 5 \times 13$ mm, $\varnothing 10$ mm
PU	●	●	460 – 1585	20 – 100		$\varnothing 5 \times 13$ mm, $\varnothing 10$ mm
MF-plus	●	●	460 – 1585	20 – 100		$\varnothing 5 \times 13$ mm, $\varnothing 10$ mm
RO-plus	●	●	460 – 1585	20 – 100		$\varnothing 5 \times 13$ mm, $\varnothing 10$ mm
RS-plus	●	●	460 – 1585	20 – 100		$\varnothing 5 \times 13$ mm, $\varnothing 10$ mm
PU-plus	●	●	460 – 1585	20 – 100		$\varnothing 5 \times 13$ mm, $\varnothing 10$ mm

Example:

HS	●	● FH+RD	960 mm	+ 45 mm	= 1005 mm	$\varnothing 5 \times 13$ mm
----	---	---------	--------	---------	-----------	------------------------------

Order specification: 900390 + 77096, D 45, $\varnothing 5 \times 13$ mm