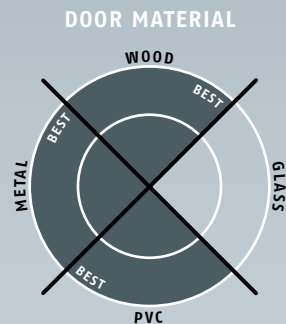


Planet Socle → 22 x 69 mm



Main features

- Appropriate for Planet FT, RF, GH (Option)
- Ideal retrofit kit for existing doors
- Simple assembly, attached on the doors
- The Planet Socle is used on any door without possibility to machine a groove, e.g. steel or aluminum doors. A quick and simple assembly, it can be done even in case of an old building refurbishment.
- 7 years warranty

Versions / options

- Surface silver anodised EV1
- Special socle for Planet GH version special steel on request

Door types with Planet Socle

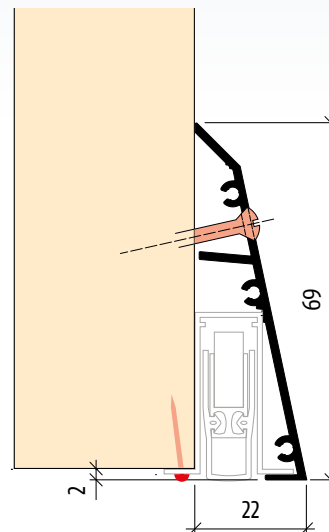


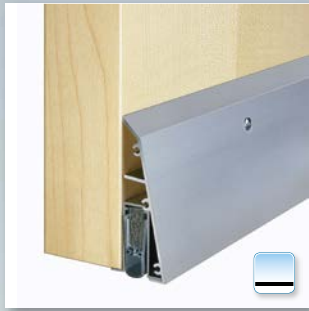
More functions



Technical specifications

Profile material	aluminum, → 22 x 69 mm
Color	silver anodised EV1
Lengths in stock	550, 650, 750, 850, 950, 1050, 1150, 1250, 1350, 1450 mm
Special lengths	on request up to 6000 mm
Can be shortened	up to the maximum of 100 mm
Fastening	laterally by the enclosed screws, the fastening holes in the Planet Socle are prepared
Test approvals	on request





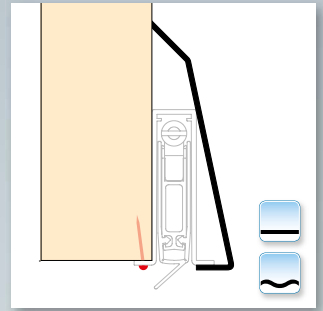
Planet Socle with profile Planet FT 13x30 mm, with cover plate



Planet Socle with cover plate, release knob and Planet FT profile 13x30 mm



Planet Socle with cover plate and Planet RF profile 13x30 mm, bevel lip



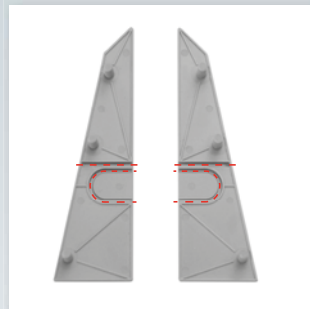
Option: Planet Socle for Planet GH 14x47,5 mm (on request)



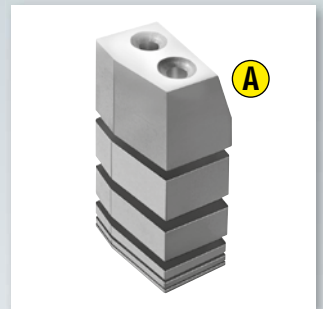
Planet Socle, profile



Planet set of covering plates, appropriate to Planet Socle

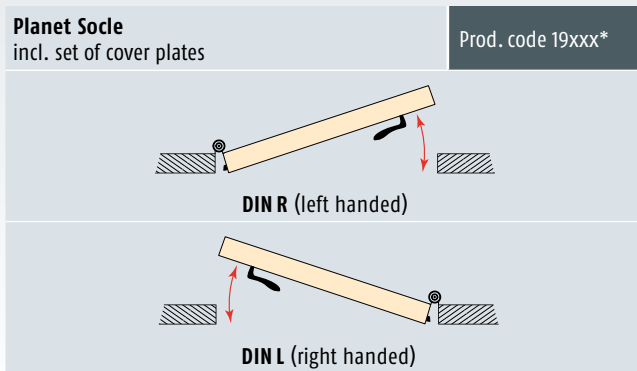


Cover plates with marked predetermined breaking points



Accessories: Planet stopping block (Assembly see below)

Order specifications



* xxx = refer to price list for profile length

Accessories | Options

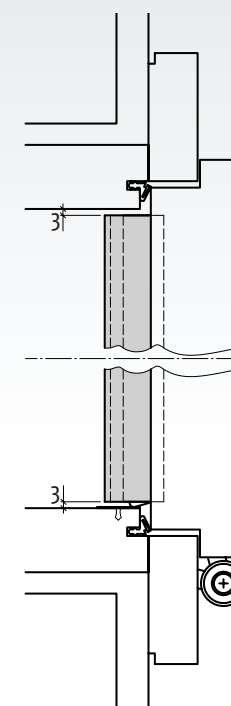
Planet Socle set of cover plates incl. 2 cover plates and 4 screws	Prod. code 19010
Planet stopping block 1 set, DIN L and DIN R applicable	Prod. code 900424
Planet Socle GH for Planet GH 400 – 6000 mm	Prod. code 900438

Advertising text

Planet Socle
Planet Socle for new and existing doors, laterally screwed down.



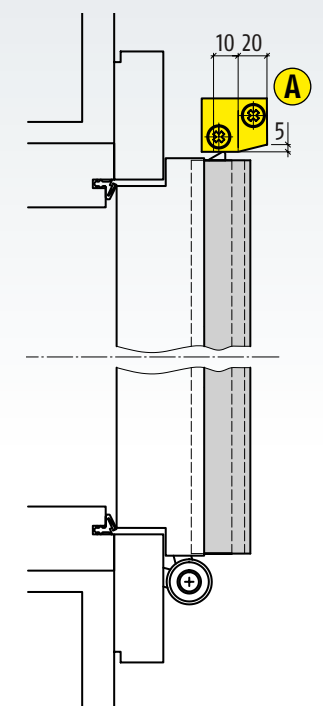
A: Assembly outside



Standard version

Accumulating point: Band side on foil on the frame

B: Assembly inside



In special cases

Accumulating point: Lock side on auxiliary block with approach ramp min. 5 x 20 mm. End position trigger on level ± 5