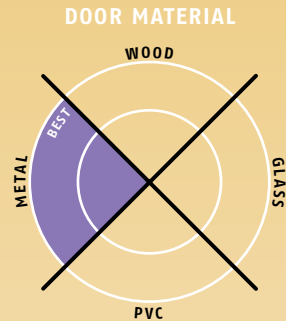


Planet R0-plus → 19,8 / 36 x 20 mm | ↓ 16 mm | ≪ 54 dB



Main features

- Seal height up to ↓ 16 mm
- Acoustic insulation up to ≪ 54 dB in case of an optimal sealing (Proof for MF-plus)
- Unilateral and soundless release, silent seal
- Due to parallel drop-down no trailing on the floor
- Automatic compensation at inclined floors
- For double leaf folding doors with flush bolt or driving bar
- High-grade silicone lip, simple lift height adjustment
- Can be shortened up to the next shorter length on stock
- No extra need to cut off silicone at both ends
- 7 years warranty

Versions / options

- Planet R0-plus → FH+RD ≪ 54 dB, fire-retardant + smoke-shielding
- Option Double-shortening → refer to chapter Accessories | TR125
- Special versions on request

Door types with Planet R0-plus



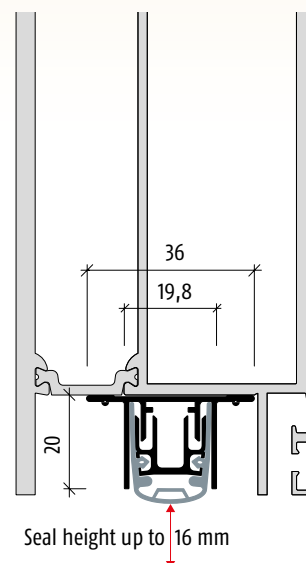
Double leaf doors → refer to chapter Accessories | Flush bolt, drilling

More functions



Technical specifications

| | |
|------------------------|--|
| Profile material | aluminum, → 19,8 / 36 x 20 mm |
| Seal profile | high-grade silicone or high-grade self-extinguishing silicone |
| Seal height | up to ↓ 16 mm |
| Sound absorption value | up to ≪ 54 dB at 7 mm space to the floor; up to ≪ 50 dB at 14 mm space to the floor |
| Lift height adjustment | on the release knob with an Allen key 3 mm |
| Lengths in stock | 335, 460, 585, 710, 835, 960, 1085, 1210, 1335, 1460, 1585 mm |
| Special lengths | on request up to 6000 mm for wing- and sliding doors |
| Release | unilaterally on hinge side |
| Can be shortened | up to the maximum of 125 mm (335 mm only 115 mm) |
| Fastening | from the bottom with screws available with the customer |
| Frame protector plate | stainless, hammer fixed, 20 x 20 mm |
| Test approvals | on request |



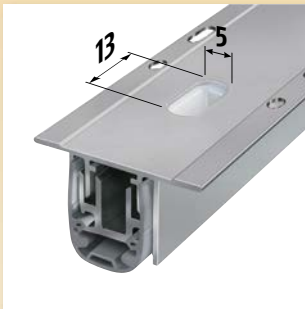
Versions | Options | Accessories



Profile Planet R0-plus



Planet R0-plus, release side

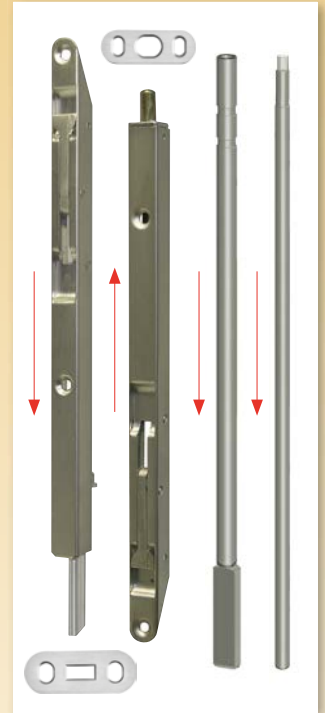


Option: Planet R0-plus with Planet drill hole $\varnothing 5 \times 13$ mm for flush bolt, driving bar rods → refer to chapter Accessories | driving bar rods



Option: Planet R0-DD with Planet drill hole $\varnothing 10$ mm for flush bolt, driving bar rods → refer to chapter Accessories | driving bar rods

Planet R0-plus



Accessories: Planet KR flush bolt, incl. strike plate → refer to chapter Accessories | Flush bolt
Driving bar rods flattened → see pages 151 – 161

Order specifications

| | |
|--|----------------------|
| Planet R0-plus-DD → FH+RD ≤ 54 dB | Prod. code 57xxx-DD* |
|--|----------------------|

* xxx = refer to price list for profile length

Accessories | Options

| | |
|--|--|
| Planet drill hole $\varnothing 5 \times 13$ mm including plastic guide, for Planet KR and driving bar rods flattened → refer to chapter Accessories Flush bolt, drilling | Prod. code 900190 |
| Planet drill hole $\varnothing 10$ mm | Prod. code 900280 |
| Planet BM floor strikes → refer to chapter Accessories BM | Prod. code 90034x-x Prod. code 90027x-x |
| Cut the Planet to fix dimension | Prod. code 900200 |

x-x = Several Planet Floor strikes available in different adjustment range refer to chapter Accessories | BM

Advertising text



Planet R0-plus → FH+RD (fire-retardant + smoke-shielding) ≤ 54 dB

Automatic door drop-down seal Planet R0-plus → FH+RD ≤ 54 dB, for sound protection-, smoke-shielding and fire-retardant doors, release on hinge side with automatic compensation in case of an inclined floor, parallel drop-down, seal height up to $\downarrow 16$ mm. Self-extinguishing silicone lip, fastening on the bottom. Aluminum profile → **19,8 / 36 x 20 mm**.