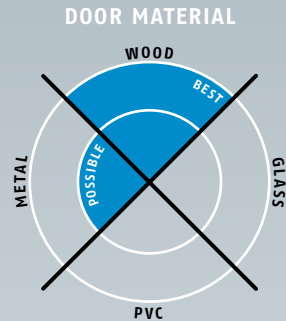


Planet MinE-V (v = ventilation)

→ 30 x 40 mm / 13 x 30 mm | ↓ 27 mm | ≤ 23 dB



Main features

- Especially for passive building and low energy houses
- Closed rooms with Ventilation systems / toilet / bathroom
- Air circulation / air equalization
- Seal height up to ↓ 27 mm
- Sound absorption on seam ≤ 23 dB at an air-gap of 7 mm
- Sound absorption at simultaneous air passage
- Air passage 250 m³/h
- Reading 40 m³/h at a pressure difference of 3,2 Pa (door width 1050 mm)
- Soft silicone bevel lip seal
- Compensation of 15 mm in case of sloping floor at door width of 1000 mm
- Automatic compensation at inclined / uneven floors
- No extra need to cut off silicone at both ends
- 7 years warranty

Versions / options

- Planet MinE-V ≤ 23 dB
- Planet MinE-V → FH ≤ 23 dB, fire-retardant
- Airlock doors
- Special versions on request

Door types with Planet MinE-S



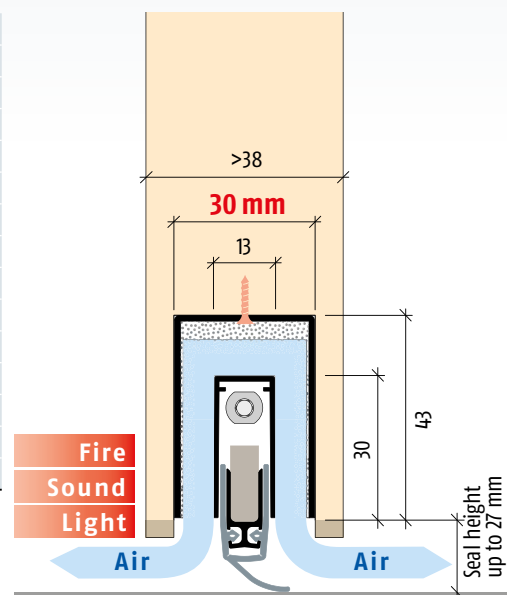
Double leaf doors → refer to chapter Accessories | Flush bolt, drilling

More functions



Technical specifications

Profile material	aluminum, → 13 x 30 mm
Channel material	aluminum, → 30 x 43 mm
Groove size	□ width 30,1 mm with depth 43,5 mm / □ width 13,1 mm with depth 30,5 mm
Seal profile	high-grade silicone or high-grade self-extinguishing silicone
Seal height	up to ↓ 27 mm
Sound absorption value	up to ≤ 23 dB at 7 mm space to the floor
Air passage	40 m ³ /h at an aeration length of 1050 mm and a pressure difference of 3,2 Pa
Lift height adjustment	on the release knob with an Allen key 3 mm
Lengths in stock	335, 460, 585, 710, 835, 960, 1085, 1210, 1335, 1460 mm
Special lengths	on request up to 2000 mm, sliding doors up to 1600 mm
Release	unilaterally on hinge side
Can be shortened	up to the maximum of 125 mm (335 mm only 115 mm)
Fastening	on the side with stainless steel angle brackets and screws
Frame protector plate	stainless, hammer fixed, 20 x 20 mm
Test approvals	on request





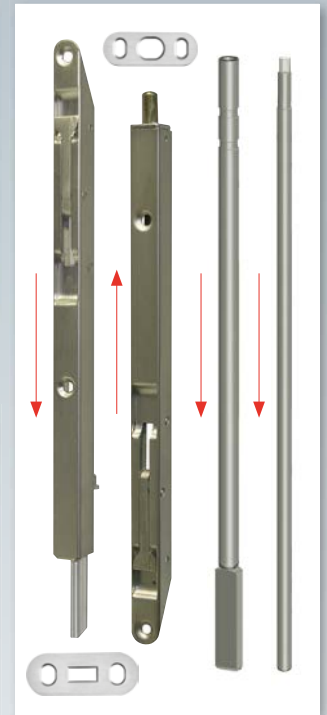
Profile Planet MinE-V



Planet MinE-S with fastening brackets, channel and insulation



Planet assembly set MinE



Accessories: Planet KR flush bolt, incl. strike plate → refer to chapter Accessories | Flush bolt
Driving bar rods flattened
→ see pages 151 – 161



Option: Planet MinE-S with Planet drill hole $\varnothing 5 \times 13$ mm for flush bolt, driving bar rods → refer to chapter Accessories | driving bar rods

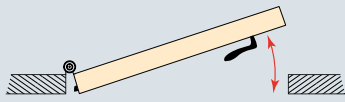
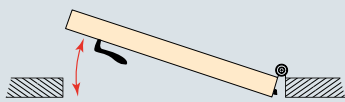


Option: Planet MinE-V with Planet drill hole $\varnothing 5 \times 13$ mm and driving bar rod → refer to chapter Accessories | driving bar rods



Accessories: Planet BM-R $\varnothing 15 / 40$ mm floor strike

Order specifications

Planet MinE-V $\llcorner 23$ dB incl. assembly set MinE	Prod. code 44xxx*
Planet MinE-V → FH $\llcorner 23$ dB incl. assembly set MinE	Prod. code 47xxx*
DIN R	
	
DIN L	
	

* xxx = refer to price list for profile length

x-x = Several Planet Floor strikes available in different adjustment range refer to chapter Accessories | BM

Accessories | Options

Planet MinE assembly set incl. 2 fastening brackets (stainless), 8 screws and frame protector plate, type 1 (stainless)	Prod. code 900462
Planet frame protector plate type 1 (stainless); possible type 2/3/4/5 → refer to chapter Accessories Options	Prod. code 900014
Cut the Planet to fix dimension	Prod. code 900225
Planet drill hole $\varnothing 5 \times 13$ mm including plastic guide, for Planet KR and driving bar rods flattened → refer to chapter Accessories Flush bolt, drilling	Prod. code 900190
Planet BM floor strikes → refer to chapter Accessories BM	Prod. code 90034x-x Prod. code 90027x-x
Sliding door	Prod. code 900908

Advertising text

Planet MinE-V $\llcorner 23$ dB
Automatic door drop-down seal Planet MinE-V $\llcorner 23$ dB for sound absorption doors with an increased air passage, especially for uneven floors, release on hinge side and automatic compensation at inclined floor, parallel drop-down, seal height up to $\downarrow 27$ mm, lip from high quality silicone, lateral fastening, profiles from aluminum → 13×30 mm / 30×43 mm, MinE channel and floor seal equipped with sound absorption materials.



Advertising text



Planet MinE-V → FH (fire-retardant) $\llcorner 23$ dB
Automatic door drop-down seal Planet MinE-V → FH $\llcorner 23$ dB for fire-retardant sound absorption doors with an increased air passage, especially for uneven floors, release on hinge side with automatic compensation at inclined floor, equipped with intumescent strips. Parallel drop-down, seal height up to $\downarrow 27$ mm, self-extinguishing silicone lip, lateral fastening, profiles from aluminum → 13×30 mm / 30×43 mm, MinE channel and floor seal equipped with sound absorption materials.