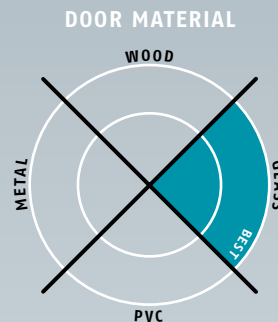


Planet KG-SL10 (sliding door)

→ 25 x 46 mm | ↓ 18 mm | ≪ 44 dB



Main features

- Seal height from ↓ 5 – 18 mm
- Acoustic insulation up to ≪ 44 dB in case of an optimal sealing
- For all-glass sliding doors with a glass thickness of 10 mm
- Planet KG-SL10 to be attached and glued
- Planet drop-down seal cemented in SL10 protection profile
- Unilateral and soundless release, silent seal
- Due to parallel drop-down no trailing on the floor
- Automatic compensation at inclined floors
- High-grade silicone lip, simple lift height adjustment
- Can be shortened up to the next shorter length on stock
- Please plan for a door lock (hook trap or retention by rolls)
- 7 years warranty

Versions / options

- Planet KG-SL10 → RD ≪ 44 dB, smoke-shielding
- Planet KG-SL10 → FH+RD ≪ 44 dB, fire-retardant + smoke-shielding
- Special versions on request

Surfaces

- Protection profile silver anodised EV1
- Protection profile stainless steel satin anodised (option)

Door types with Planet KG-SL10

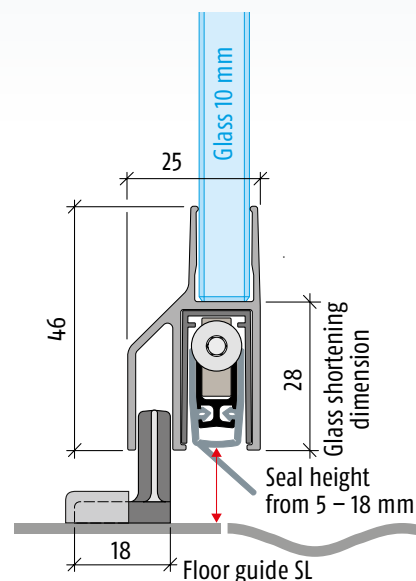


More functions



Technical specifications

Profile material	aluminum, → 25 x 46 mm, silver anodised EV1 or stainless steel satin anodised
Seal profile	high-grade silicone or high-grade self-extinguishing silicone
Seal height	from ↓ 5 – 18 mm
Sound absorption value	up to ≪ 44 dB at 7 mm space to the floor
Lift height adjustment	on the release knob with an Allen key 3 mm
Lengths in stock	459, 584, 709, 834, 959, 1084, 1209, 1334, 1459 mm
Special lengths	on request up to 6000 mm, sliding doors up to 1600 mm
Release	unilaterally on hinge side
Can be shortened	up to the maximum of 125 mm
Fastening	to be glued
Frame protector plate	stainless, hammer fixed, 20 x 20 mm
Test approvals	on request





Planet KG-SL10 with floor guide and covering cape



Planet KG-SL10 with floor guide and covering cape, release side



Planet KG-SL10 with floor guide and covering capes



Option: Planet KG-SL10 with round lip



Planet floor guide and covering cape for Planet KG-SL10



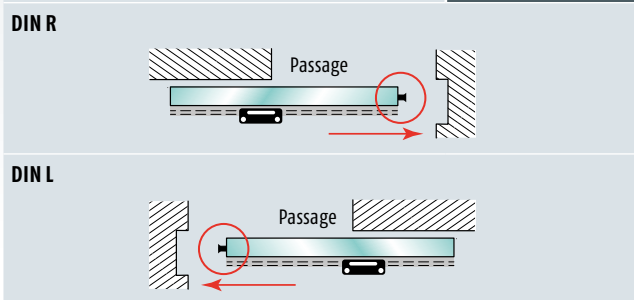
Accessories: Planet frame protector plate, type 1 (stainless), 20 x 20 mm



Set of Planet cover plates Planet KG

Order specifications

<p>Planet KG-SL10 → RD ≤ 44 dB → silver anodised EV1 incl. set of cover plates, floor guide, covering cape and frame protector plate, type 1</p>	<p>Prod. code 37xxx-SL10 L R*</p>
<p>Planet KG-SL10 → FH+RD ≤ 44 dB → silver anodised EV1 incl. set of cover plates, floor guide, covering cape and frame protector plate, type 1</p>	<p>Prod. code 39xxx-SL10 L R*</p>



* xxx = refer to price list for profile length

Accessories | Options

<p>Planet KG-SL10 → stainless steel satin anodised</p>	<p>Artikel-Nr. 900905</p>
<p>Planet floor guide, suitable to KG-SL10</p>	<p>Prod. code 900217</p>
<p>Planet covering cape to Planet floor guide suitable for Planet KG-SL10 → silver anodised EV1</p>	<p>Prod. code 900454</p>
<p>Planet covering cape to Planet floor guide suitable to Planet KG-SL10 → stainless steel satin anodised</p>	<p>Prod. code 900455</p>
<p>Planet Frame protector plate, type 1 (stainless)</p>	<p>Prod. code 900014</p>
<p>Cut the Planet to fix dimension</p>	<p>Prod. code 900225</p>
<p>Set of Planet cover plates Planet KG</p>	<p>Prod. code 900252</p>

Advertising text



<p>Planet KG+SL10 → RD (smoke-shielding) ≤ 44 dB</p> <p>Automatic door drop-down seal Planet KG-SL10 → RD ≤ 44 dB, unilateral release with parallel drop-down and automatic compensation at inclined floor, protection profile silver anodised EV1 or stainless steel satin anodised, to be attached and glued, seal height from $\downarrow 5 - 18$ mm. Lip from silicone. Protection profile and profile made from aluminum → 25 x 46 mm, incl. cover plate.</p>
--

Advertising text



<p>Planet KG+SL10 → FH+RD (fire-retardant + smoke-shielding) ≤ 44 dB</p> <p>Automatic door drop-down seal Planet KG-SL10 → FH+RD ≤ 44 dB, appropriate for fire-retardant and smoke-shielding doors, sound absorption value SK 1-3, unilateral release with parallel drop-down and automatic compensation at inclined floor, protection profile silver anodised EV1 or stainless steel satin anodised, to be attached and glued, seal height from $\downarrow 5 - 18$ mm. Lip from silicone. Protection profile and profile made from aluminum → 25 x 46 mm, incl. cover plate.</p>
--