

For sliding doors, the elegant, filigree design solution to be attached and glued

## Important specifications

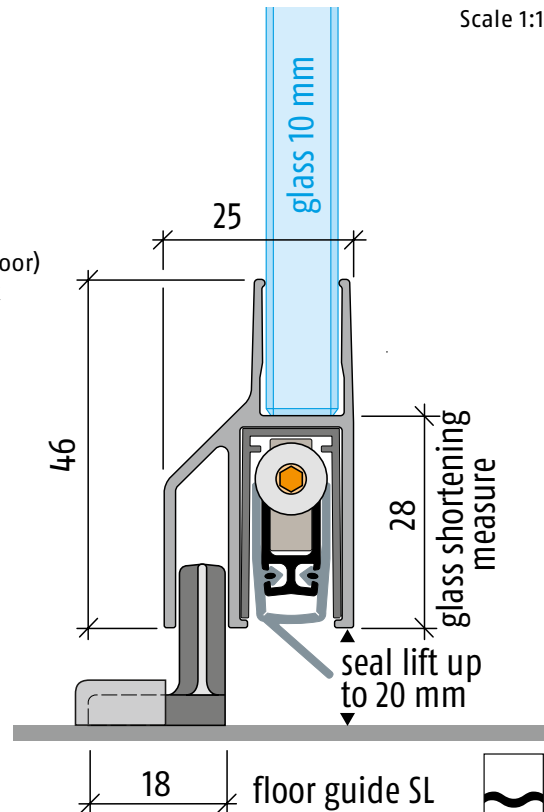
- seal lift 20 mm
- for one and double-wing folding all-glass doors, glass thickness 10 mm
- Drop-down seal to be attached and glued
- unilateral release with parallel drop-down
- no trailing on the floor
- automatic compensation at inclined floor
- sound absorption value 42 dB (7 mm air gap to the floor)
- can be shortened to the next shorter length on stock
- high quality silicone lip, simple seal lift setting
- warranty 7 years

## Executions

- Planet KG-SL10 RD/42dB, smoke-shielding
- Planet KG-SL10 FH+RD/42dB, fire-retardant and smoke-shielding,
- special executions on request

## Surfaces

- colorless anodized EV1
- similar to Niro mat anodized



## Advertising text

### Planet KG-SL10 RD/42dB, smoke-shielding



Automatic door drop-down seal **Planet KG-SL10 RD/42dB**, unilateral release with parallel drop-down and automatic compensation at inclined floor, protection profile colorless EV1 or similar to Niro mat anodized, to be attached and glued. Seal lift height up to 16 mm. Silicone lip. Protection profile and profile from aluminum 25×46 mm, incl. covering plate

### Planet KG-SL10 FH+RD/42dB, fire-retardant and smoke-shielding



Automatic door drop-down seal **Planet KG-SL10 FH/RD/42dB**, suited to fire-retardant and smoke-shielding doors, sound absorption value SK1-3, unilateral release with parallel drop-down and automatic compensation at inclined floor, protection profile colorless EV1 or similar to Niro mat anodized, to be attached and glued, seal lift height up to 16 mm, silicone lip, protection profile and profile from aluminum 25×46 mm, incl. covering plate.

## Technical specifications

Protection profile material:	aluminum 25×46 mm, EV1 colorless or similar to Niro mat anodized
Seal profile:	high quality silicone or self-extinguishing silicone
Seal height/lift:	up to 20 mm
Sound absorbing value:	42 dB at 7 mm air gap to the floor
Lift adjustment:	on the release knob with a 3 mm Allen key
Lengths:	459, 584, 709, 834, 959, 1084, 1209, 1334, 1459 mm
Special lengths:	up to 1600 mm
Release:	unilaterally on hinge side
can be shortened:	up to 125 mm
Fastening:	to be glued
Stopping plate:	stainless steel, to drive home, 20×20 mm
Test approvals:	on request

# Planet KG-SL10

Profile dimension 25×46 mm

For sliding doors, the elegant, filigree design solution to be attached and glued

## Order specifications

- **Planet Planet KG-SL10 RD/42dB**, incl. set of covering plates, floor guide, covering cape and stopping plate, type 1  
Part number 37 xxx\*-SL10
- **Planet KG-SL10 FH+RD/42dB**, incl. set of covering plates, floor guide, covering cape and stopping plate, type 1  
Part number 39 xxx\*-SL10

DIN R or DIN L

\*xxx = refer to price list for profile length

## Accessories / options

- **Planet Floor guide**, suitable to KG-SL10  
Part number 900 217
- **Planet Covering cape for Planet floor guide**, suitable for Planet KG-SL10  
Part number 900 454, colorless anodized EV1  
Part number 900 455, similar to Niro mat anodized
- **Planet Stopping plate**, type 1, stainless  
Part number 900 014
- Cut the **Planet on fix dimension**  
Part number 900 225
- **Planet KG, set of covering plates**  
Part number 900 252

closing edge

rear edge



Planet KG-SL10 with release knob, floor guide and covering cape



Planet KG-SL10 with floor guide and covering cape



Planet covering cape suitable to floor guide



Planet floor guide and covering cape for Planet KG-SL10



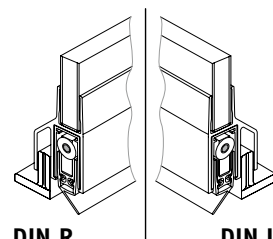
**Accessories:**  
Planet KG set of covering plates



**Accessories:**  
Planet, stopping plate type 1, stainless



**Option:**  
Planet KG-SL10 round-lip



DIN R

DIN L

SWISS MADE