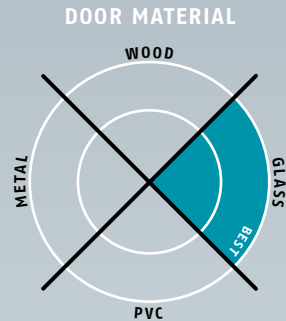


Planet KG-MinE-S10

→ 34 x 45 / 61mm | ↓ 27 mm | ≤ 27 dB



Main features

- Especially for passive building and low energy houses
- Closed rooms with ventilation systems / toilet / bathroom
- Air circulation / air equalization
- Seal height up to ↓ 27 mm
- Acoustic insulation up to ≤ 27 dB in case of an optimal sealing
- For one and double leaf folding all-glass doors, glass thickness from 10 mm
- Air passage 200 m³/h
- Readings 30 m³/h at a pressure difference of 3,9 Pa (with door width 1050 mm)
- Planet KG-MinE-S10 to be attached and glued
- For wavy, buckled, hollow, bevelled and uneven floor
- Soft silicone bevel lip seal, perfect for uneven floors
- No trailing on the floor
- 7 years warranty

Versions / options

- Planet KG-MinE-S10 ≤ 27 dB
- Special versions on request

Surfaces

- Protection profile silver anodised EV1
- Protection profile stainless steel satin anodised (option)

Door types with Planet KG-MinE-S10

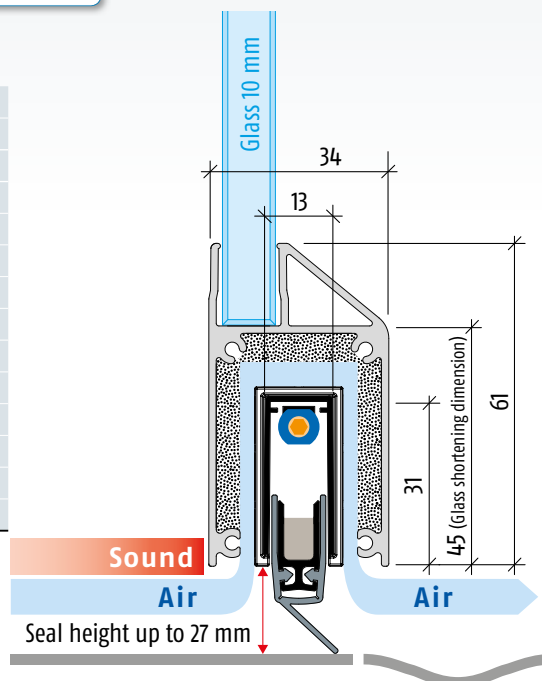


More functions



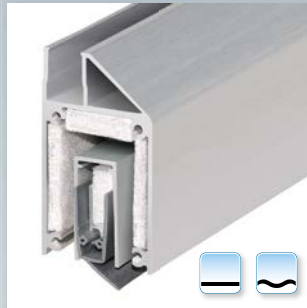
Technical specifications

| | |
|------------------------|---|
| Profile material | aluminum, → 13 x 30 mm |
| Channel material | aluminum, → 34 x 61 mm |
| Seal profile | high-grade silicone or high-grade self-extinguishing silicone |
| Seal height | up to ↓ 27 mm |
| Sound absorption value | up to ≤ 27 dB at 7 mm space to the floor |
| Luftdurchlass | 30 m ³ /h at an aeration length of 1050 mm and a pressure difference of 3,9 Pa |
| Lift height adjustment | on the release knob with an Allen key 3 mm |
| Lengths in stock | 335, 460, 585, 710, 835, 960, 1085, 1210, 1335, 1460 mm |
| Special lengths | on request up to 2000 mm, sliding doors up to 1600 mm |
| Release | unilaterally on hinge side |
| Can be shortened | up to the maximum of 125 mm (335 mm only 115 mm) |
| Fastening | to be glued |
| Frame protector plate | stainless, hammer fixed, 20 x 20 mm |
| Test approvals | on request |





Planet KG-MinE-S10, release side



Planet KG-MinE-S10 with channel and insulation



Planet KG-MinE-S10 cover plates



Planet frame protector, type 1

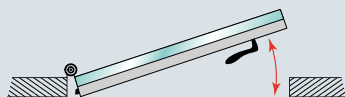
Order specifications

Planet KG MinE-S10 ≤ 27 dB

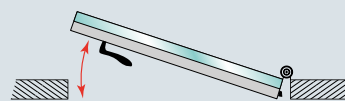
→ silver anodised EV1

incl. set of cover plates and frame protector plate, type 1

Prod. code 38xxx-MinE-S10LR*



DIN R (left handed)



DIN L (right handed)

* xxx = refer to price list for profile length

Accessories | Options

Planet KG MinE-S10

→ stainless steel satin anodised

Prod. code 900004

Planet frame protector plate

type 1 (stainless); possible type 2/3/4/5

→ refer to chapter Accessories | Options

Prod. code 900014

Cut the Planet to fix dimension

Prod. code 900225

Advertising text



Planet KG-MinE-S10 ≤ 27 dB

Automatic door drop-down seal Planet KG-MinE-S10 ≤ 27 dB for sound absorption glass doors with an air passage, especially for uneven floors, release on hinge side and automatic compensation at inclined floor, parallel drop-down, seal height up to $\downarrow 27$ mm, lip from high quality silicone, KG-MinE-S10-channel in silver anodised EV1 or stainless steel satin anodised, to be attached and glued, profiles from aluminum → 13 x 30 mm / 34 x 61 mm, KG-MinE-S10-channel equipped with sound absorption materials.