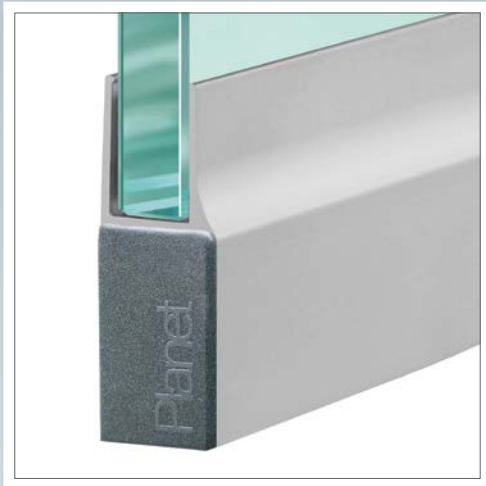
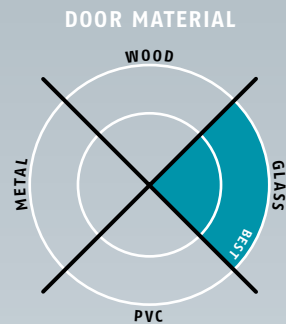


Planet KG-F10 | F12

→ 16,5 x 46 / 52 mm | ↓ 18 mm | ≤ 48 dB



Main features

- Seal height up to ↓ 18 mm
- Acoustic insulation up to ≤ 48 dB in case of an optimal sealing
- For one and double leaf all-glass doors, with a thickness of 10 and 12 mm
- Planet KG-F10 | F12 to be attached and glued
- Planet drop-down seal cemented in F10 / F12 protection profile
- Unilateral and soundless release, silent seal
- Due to parallel drop-down no trailing on the floor
- Automatic compensation at inclined floors
- High-grade silicone lip, simple lift height adjustment
- Can be shortened up to the next shorter length on stock
- 7 years warranty

Versions / options

- Planet KG-F10 | F12 → RD ≤ 48 dB, smoke-shielding
- Planet KG-F10 | F12 → FH+RD ≤ 48 dB, fire-retardant and smoke-shielding
- Option bevel lip ≤ 44 dB, up to ↓ 22 mm, for uneven floors
- Special versions on request

Surfaces

- Protection profile silver anodised EV1
- Protection profile stainless steel satin anodised (option)

Door types with Planet KG-F10 | F12

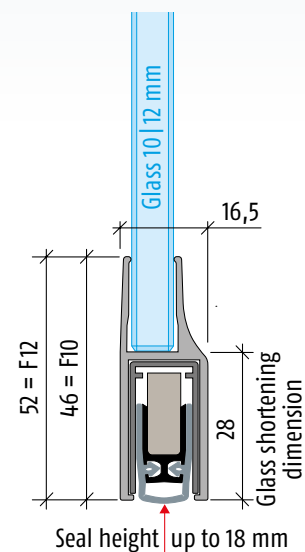


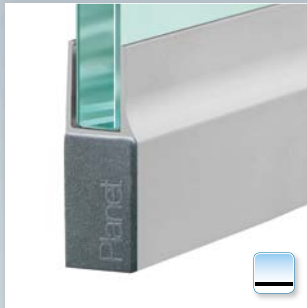
More functions



Technical specifications

Profile material	aluminum, → 16,5 x 46 / 52 mm, silver anodised EV1 or stainless steel satin anodised
Seal profile	high-grade silicone or high-grade self-extinguishing silicone
Seal height	up to ↓ 18 mm
Sound absorption value	up to ≤ 48 dB at 7 mm space to the floor; up to ≤ 46 dB at 14 mm space to the floor
Lift height adjustment	on the release knob with an Allen key 3 mm
Lengths in stock	459, 584, 709, 834, 959, 1084, 1209, 1334, 1459 mm
Special lengths	on request up to 6000 mm, sliding doors up to 1600 mm
Release	unilaterally on hinge side
Can be shortened	up to the maximum of 125 mm
Fastening	to be glued
Frame protector plate	stainless, hammer fixed, 20 x 20 mm
Test approvals	on request





Planet KG-F10 | F12, with cover plate



Planet KG-F10 | F12, attached and glued, release side



Planet KG-F10 | F12, attached and glued



Option: Planet KG-F10 | F12, bevel lip for **uneven floors**



Accessories: Planet frame protector plate, type 1 (stainless), 20 x 20 mm



Set of Planet cover plates Planet KG

Order specifications

<p>Planet KG-F10 F12 → RD ≤ 48 dB → silver anodised EV1 incl. set of cover plates and frame protector plate, type 1</p>	<p>Prod. code 38xxx-F10 F12*</p>
<p>Planet KG-F10 F12 → FH+RD ≤ 48 dB → silver anodised EV1 incl. set of cover plates and frame protector plate, type 1</p>	<p>Prod. code 39xxx-F10 F12*</p>

* xxx = refer to price list for profile length

Accessories | Options

<p>Planet KG-F10 F12 → stainless steel satin anodise</p>	<p>Prod. code (F10) 900898 Prod. code (F12) 900899</p>
<p>Planet frame protector plate type 1 (stainless); possible type 2/3/4/5 → refer to chapter Accessories Options</p>	<p>Prod. code 900014</p>
<p>Cut the Planet to fix dimension</p>	<p>Prod. code 900225</p>
<p>Set of Planet cover plates Planet KG</p>	<p>Prod. code 900252</p>
<p>Sliding door</p>	<p>Prod. code 900908</p>
<p>Bevel lip (≤ 44 dB, up to ↓ 22 mm) DIN L or DIN R</p>	<p>refer to price list, options / supplements</p>

Advertising text



<p>Planet KG-F10 F12 → RD (smoke-shielding) ≤ 48 dB</p> <p>Automatic door drop-down seal Planet KG-F10 F12 → RD ≤ 48 dB, unilateral release with parallel drop-down and automatic compensation at inclined floor, protection profile silver anodised EV1 or stainless steel satin anodised, to be attached and glued, seal height up to ↓ 18 mm. Lip from silicone. Protection profile and profile made from aluminum → 16,5 x 46 / 52 mm, incl. cover plate on lock side for single leaf doors.</p>

Advertising text



<p>Planet KG-F10 F12 → FH+RD (fire-retardant + smoke-shielding) ≤ 48 dB</p> <p>Automatic door drop-down seal Planet KG-F10 F12 → FH+RD ≤ 48 dB, appropriate for fire-retardant and smoke-shielding doors, sound absorption value SK 1-3, unilateral release with parallel drop-down and automatic compensation at inclined floor, protection profile silver anodised EV1 or stainless steel satin anodised, to be attached and glued, seal height up to ↓ 18 mm. Lip from silicone. Protection profile and profile made from aluminum → 16,5 x 46 / 52 mm, incl. cover plate on lock side for single leaf doors.</p>
