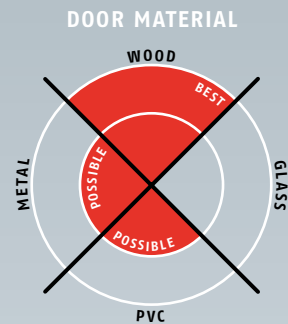


Planet HS → 13 x 30 mm | ↓ 22 mm | ≤ 48 dB



Main features

- Seal height up to ↓ 22 mm
- Acoustic insulation up to ≤ 48 dB in case of an optimal sealing
- Protected silicone lips since deeper embedded
- Door can be adapted on bottom without removal
- Unilateral and soundless release, silent seal
- Due to parallel drop-down no trailing on the floor
- Automatic compensation at inclined floors
- One groove width for Planet HS and RH (uneven floors)
- For double leaf folding doors with flush bolt or driving bar
- High-grade silicone lip, simple lift height adjustment
- Can be shortened up to the next shorter length on stock
- No extra need to cut off silicone at both ends
- 7 years warranty

Versions / options

- Planet HS → RD ≤ 48 dB, smoke-shielding
- Planet HS → FH+RD ≤ 48 dB, fire-retardant + smoke-shielding
- Option sliding door ≤ 48 dB
- Silicone lip extended by 8 mm
- Anti-bacterial silicone lip is optional
- Possibility of silicone-free (TPE) execution
- Option Double-shortening → refer to chapter Accessories | TR125
- Special versions on request

Door types with Planet HS



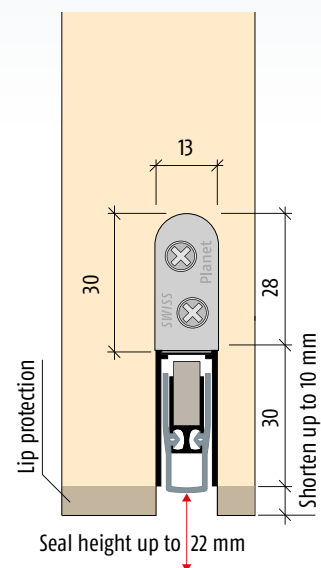
Double leaf doors → refer to chapter Accessories | Flush bolt, drilling

More functions



Technical specifications

Profile material	aluminum, → 13 x 30 mm
Groove size	□ width 13,1 mm with depth 30,5 up to 40 mm
Seal profile	high-grade silicone or high-grade self-extinguishing silicone
Seal height	up to ↓ 22 mm
Sound absorption value	up to ≤ 48 dB at 7 mm space to the floor; up to ≤ 42 dB at 18 mm space to the floor
Lift height adjustment	on the release knob with an Allen key 3 mm
Lengths in stock	335, 460, 585, 710, 835, 960, 1085, 1210, 1335, 1460 mm
Special lengths	on request up to 6000 mm for wing- and sliding doors
Release	unilaterally on hinge side
Can be shortened	up to the maximum of 125 mm (335 mm only 115 mm)
Fastening	on the side with stainless steel angle brackets and screws
Frame protector plate	stainless, hammer fixed, 20 x 20 mm
Test approvals	on request





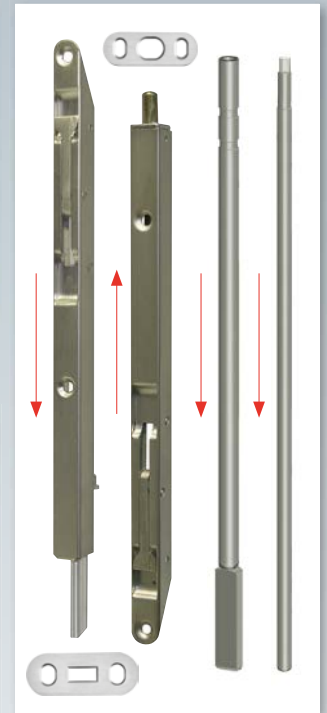
Profile Planet HS



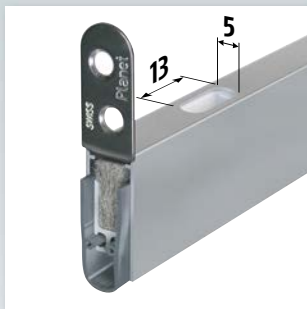
Planet HS with fastening brackets, release knob



Planet assembly set HS



Accessories: Planet KR flush bolt, incl. strike plate → refer to chapter Accessories | Flush bolt
Driving bar rods flattened → see pages 151 – 161



Option: Planet HS with Planet drill hole $\varnothing 5 \times 13$ mm for flush bolt, driving bar rods → refer to chapter Accessories | driving bar rods



Option: Planet HS with Planet drill hole $\varnothing 8$ mm for driving bar rods → refer to chapter Accessories | driving bar rods



Option: Planet HS: silicone lip extended by 8 mm, with fastening brackets, release side

Order specifications

Planet HS → RD ≤ 48 dB incl. assembly set HS	Prod. code 76xxx*
Planet HS → FH+RD ≤ 48 dB incl. assembly set HS	Prod. code 77xxx*

* xxx = refer to price list for profile length

Accessories | Options

Sliding door	Prod. code 900908
Planet assembly set HS incl. 2 fastening brackets (stainless), 4 screws and frame protector plate, type 1 (stainless)	Prod. code 900180
Planet frame protector plate type 1 (stainless); possible type 2/3/4/5 → refer to chapter Accessories Options	Prod. code 900014
Cut the Planet to fix dimension	Prod. code 900200
Planet drill hole $\varnothing 8$ mm	Prod. code 900866
Planet drill hole $\varnothing 5 \times 13$ mm including plastic guide, for Planet KR and driving bar rods flattened → refer to chapter Accessories Flush bolt, drilling	Prod. code 900190
Planet BM floor strikes → refer to chapter Accessories BM	Prod. code 90034x-x Prod. code 90027x-x

x-x = Several Planet Floor strikes available in different adjustment range refer to chapter Accessories | BM

Advertising text



Planet HS → RD (smoke-shielding) ≤ 48 dB
Automatic door drop-down seal **Planet HS → RD ≤ 48 dB**, for sound absorption and smoke-shielding doors, release on hinge side with automatic compensation in case of an inclined floor, parallel drop-down, seal height up to $\downarrow 22$ mm, flush or deeper to put in groove with lip protection. Silicone lip, lateral fastening. Aluminum profile → **13 x 30 mm**.

Advertising text



Planet HS → FH+RD (fire-retardant + smoke-shielding) ≤ 48 dB
Automatic door drop-down seal **Planet HS → FH+RD ≤ 48 dB**, for sound protection-, smoke-shielding and fire-retardant doors, release on hinge side with automatic compensation in case of an inclined floor, parallel drop-down, seal height up to $\downarrow 22$ mm, flush or deeper to put in groove with lip protection. Lateral fastening, self-extinguishing silicone lip. Aluminum profile → **13 x 30 mm**.