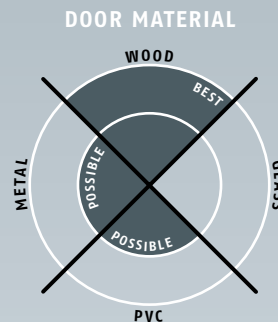


Planet GH → 14 x 47,5 mm | ↓ 42 mm | ≦ 45 dB



Main features

- Seal height ↓ 20 – 42 mm
- Acoustic insulation up to ≦ 45 dB in case of an optimal sealing
- Unilateral and soundless release, silent seal
- Due to parallel drop-down no trailing on the floor
- Automatic compensation at inclined / uneven floors
- For double leaf folding doors with flush bolt or driving bar
- Also suitable for Planet Socle (→ refer to Planet Socle)
- High-grade silicone lip, simple lift height adjustment
- Can be shortened up to the next shorter length on stock
- No extra need to cut off silicone at both ends
- 7 years warranty

Versions / options

- With Socle profile for later fastening → on request
- Possibility of lateral fastening brackets → refer to chapter Accessories | Options
- Planet Drill hole ∅5 x 13 mm (observe «paddle length» of the circular bar)
- Special versions on request

Door types with Planet GH



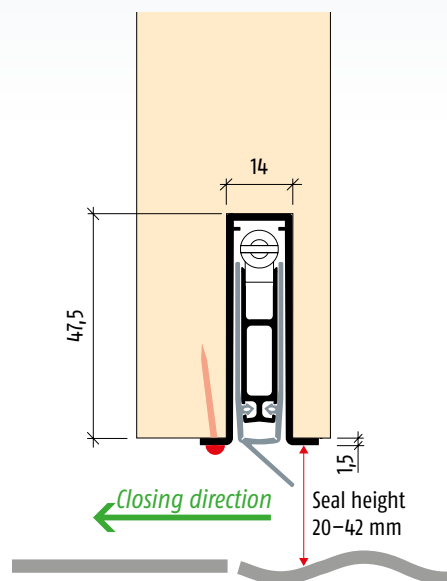
Double leaf doors → refer to chapter Accessories | Flush bolt, drilling

More functions



Technical specifications

Profile material	aluminum, → 14 x 47,5 mm
Groove size	width 14,1 mm with depth 48 mm
Seal profile	high quality silicone
Seal height	↓ 20 – 42 mm
Sound absorption value	up to ≦ 45 dB at 20 mm space to the floor
Lift height adjustment	on the release knob with screwdriver
Lengths	400 – 6000 mm on fix measure
Release	unilaterally on hinge side
Can be shortened	up to the maximum of 100 mm
Fastening	from bottom with screws or nails furnished by customer
Frame protector plate	stainless, hammer fixed, 20 x 20 mm
Test approvals	on request



Versions | Options | Accessories



Profile Planet GH



Planet GH profile, release side



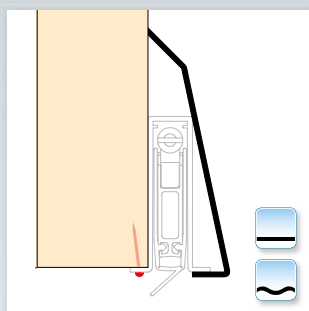
Option: Planet GH with round lip



Option: Planet GH with lateral fastening (same as Planet HS)



Option: Planet GH with Planet drill hole $\varnothing 5 \times 13$ mm and driving bar rod → refer to chapter Accessories | driving bar rods



Option: Planet Socle for Planet GH → on request



Accessories: Planet frame protector plate, type 1 (stainless), 20 x 20 mm

Order specifications

Planet GH → RD ≤ 45 dB

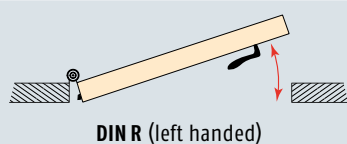
including frame protector plate, type 1, with details of length and DIN direction

Prod. code 27200 per meter

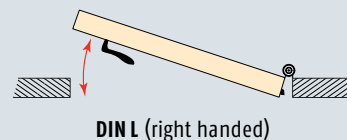
Planet GH → FH+RD ≤ 45 dB

including frame protector plate, type 1, with details of length and DIN direction

Prod. code 27201 per meter



DIN R (left handed)



DIN L (right handed)

Accessories | Options

Planet frame protector plate

type 1 (stainless); possible type 2/3/4/5 → refer to chapter Accessories | Options

Prod. code 900014

Planet drill hole $\varnothing 5 \times 13$ mm

incl. plastic guide; Order specifications → refer to chapter drilling

Prod. code 900601

Planet Socle GH

for bottom mounting

Prod. code 900438

Planet GH sliding door

including frame protector plate, type 1, on request; with details of length and DIN direction

Auxiliary for lateral fastening

for bottom mounting, on request

Prod. code 900451

Planet BM floor strikes

→ refer to chapter Accessories | BM

Prod. code 90034x-x
Prod. code 90027x-x

x-x = Several Planet floor strikes available in different adjustment range refer to chapter Accessories | BM

Advertising text



Planet GH → RD (smoke-shielding) ≤ 45 dB

Automatic door drop-down seal Planet GH → RD ≤ 45 dB, for sound protection and smoke-shielding doors, for doors and large doors, release on hinge side with automatic compensation in case of an inclined floor, parallel drop-down, seal height up to $\downarrow 42$ mm, flush to put in groove, lip from silicone, fastening on the bottom. Aluminum profile → $14 \times 47,5$ mm.

Advertising text



Planet GH → FH+RD (fire-retardant + smoke-shielding) ≤ 45 dB

Automatic door drop-down seal Planet GH → FH+RD ≤ 45 dB, for sound protection-, smoke-shielding and fire-retardant doors, for doors and large doors, release on hinge side with automatic compensation in case of an inclined floor, parallel drop-down, seal height up to $\downarrow 42$ mm, flush to put in groove, self-extinguishing silicone lip, fastening on the bottom. Aluminum profile → $14 \times 47,5$ mm.