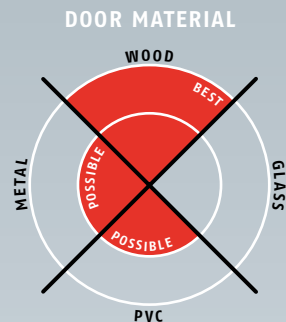


# Planet FT → 13 x 30 mm | ↓ 22 mm | ≤ 48 dB



## Main features

- Seal height up to ↓ 22 mm
- Acoustic insulation up to ≤ 48 dB in case of an optimal sealing
- Unilateral and soundless release, silent seal
- Due to parallel drop-down no trailing on the floor
- Automatic compensation at inclined floors
- One groove width for Planet FT and RF (uneven floors)
- For double leaf folding doors with flush bolt or driving bar
- Also suitable for Planet Socle (→ refer to Planet Socle)
- High-grade silicone lip, simple lift height adjustment
- Can be shortened up to the next shorter length on stock
- No extra need to cut off silicone at both ends
- 7 years warranty

## Versions / options

- Planet FT → RD ≤ 48 dB, smoke-shielding
- Planet FT → FH+RD ≤ 48 dB, fire-retardant + smoke-shielding
- Option sliding door ≤ 48 dB
- Silicone lip extended by 8 mm
- Anti-bacterial silicone lip is optional
- Possibility of silicone-free (TPE) execution
- Option Double-shortening → refer to chapter Accessories | TR125
- Special versions on request



## Door types with Planet FT



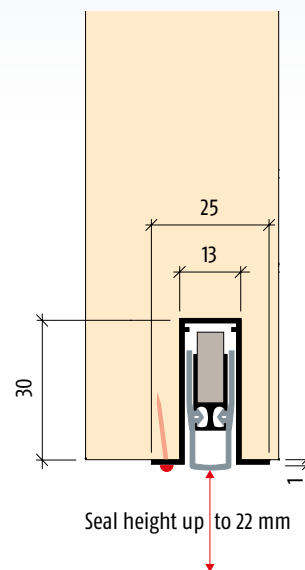
Double leaf doors → refer to chapter Accessories | Flush bolt, drilling

## More functions



## Technical specifications

Profile material	aluminum, → 13 x 30 mm
Groove size	width 13,1 mm with depth 30,5 mm
Seal profile	high-grade silicone or high-grade self-extinguishing silicone
Seal height	up to ↓ 22 mm
Sound absorption value	up to ≤ 48 dB at 7 mm space to the floor; up to ≤ 42 dB at 20 mm space to the floor
Lift height adjustment	on the release knob with an Allen key 3 mm
Lengths in stock	350, 450, 550, 650, 750, 850, 950, 1050, 1150, 1250, 1350, 1450 mm
Special lengths	on request up to 6000 mm for wing- and sliding doors
Release	unilaterally on hinge side
Can be shortened	up to the maximum of 100 mm
Fastening	from the bottom with screws or nails / pins available by customer
Frame protector plate	stainless, hammer fixed, 20 x 20 mm
Test approvals	on request



Versions | Options | Accessories



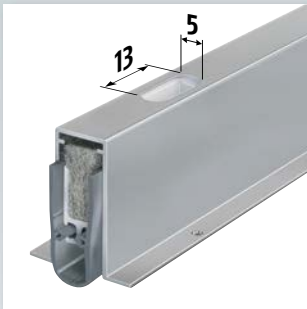
Planet FT, release side



**Option:** Planet FT: silicone lip extended by 8 mm, release side



**Option:** Planet FT with Planet Socle → refer to chapter Socle



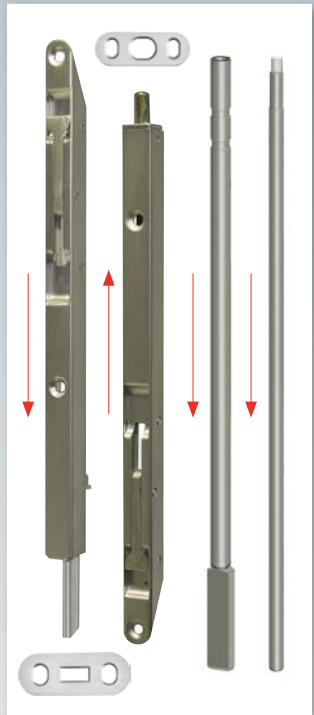
**Option:** Planet FT with Planet drill hole  $\varnothing 5 \times 13$  mm for flush bolt, driving bar rods → refer to chapter Accessories | driving bar rods



**Option:** Planet FT with Planet drill hole  $\varnothing 5 \times 13$  mm and driving bar rod → refer to chapter Accessories | driving bar rods



**Option:** Planet FT with Planet drill hole  $\varnothing 8$  mm for driving bar rods → refer to chapter Accessories | driving bar rods



**Accessories:** Planet KR flush bolt, incl. strike plate → refer to chapter Accessories | Flush bolt  
**Driving bar rods flattened** → see pages 151 – 161

Order specifications

<b>Planet FT → RD <math>\leq 48</math> dB</b> including frame protector plate, type 1	Prod. code 70xxx*
<b>Planet FT → FH+RD <math>\leq 48</math> dB</b> including frame protector plate, type 1	Prod. code 71xxx*

\* xxx = refer to price list for profile length

Accessories | Options

<b>Sliding door</b>	Prod. code 900908
<b>Planet frame protector plate</b> type 1 (stainless); possible type 2/3/4/5 → refer to chapter Accessories   Options	Prod. code 900014
<b>Cut the Planet to fix dimension</b>	Prod. code 900200
<b>Planet covering plates</b>	Prod. code 70010
<b>Planet drill hole <math>\varnothing 8</math> mm</b>	Prod. code 900866
<b>Planet drill hole <math>\varnothing 5 \times 13</math> mm</b> including plastic guide, for Planet KR and driving bar rods flattened → refer to chapter Accessories   Flush bolt, drilling	Prod. code 900190
<b>Planet Socle for for bottom mounting</b> → refer to Planet Socle	Prod. code 19xxx*
<b>Planet BM floor strikes</b> → refer to chapter Accessories   BM	Prod. code 90034x-x Prod. code 90027x-x

x-x = Several Planet Floor strikes available in different adjustment range refer to chapter Accessories | BM

Advertising text



**Planet FT → RD (smoke-shielding)  $\leq 48$  dB**  
Automatic door drop-down seal **Planet FT → RD  $\leq 48$  dB**, for sound absorption and smoke-shielding doors, release on hinge side with automatic compensation in case of an inclined floor, parallel drop-down, seal height up to  $\downarrow 22$  mm, flush to put in groove. Silicone lip, fastening on the bottom. Aluminum profile → **13 x 30 mm**.

Advertising text



**Planet FT → FH+RD (fire-retardant + smoke-shielding)  $\leq 48$  dB**  
Automatic door drop-down seal **Planet FT → FH+RD  $\leq 48$  dB**, for sound protection-, smoke-shielding- and fire-retardant doors, release on hinge side with automatic compensation in case of an inclined floor, parallel drop-down, seal height up to  $\downarrow 22$  mm, flush to put in groove. Fastening on the bottom, self-extinguishing silicone lip. Aluminum profile → **13 x 30 mm**.