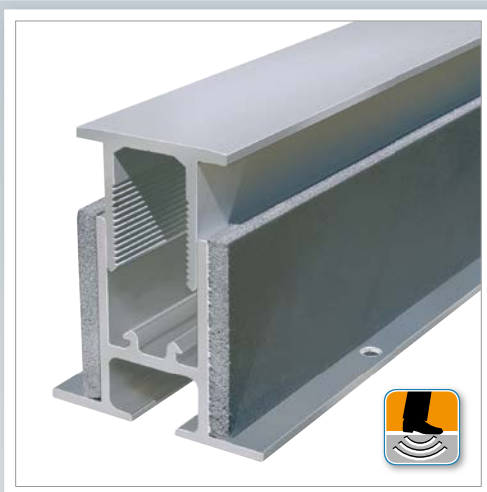
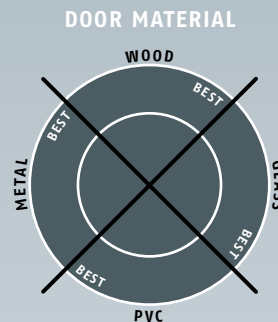


# Planet BT floor separation threshold

→ 40 x 60 mm / 60 x 60 mm



## Main features

- For a perfect acoustic interruption
- From  $\leq 30$  dB recommended separation of the supporting floor
- Very nice optical solution
- An even block surface for all Planet drop-down seals for an optimal sound protection.
- Is cast in the floor base
- Large adjustment range
- Suitable for one or two sealing planes
- Basic profile prepared for mortar protection
- Basic profile prepared with acoustic insulation stripes on the left and right
- 7 years warranty

## Versions

- Planet BT 803, 40 mm, complete
- Planet BT 804, 60 mm, complete

## Door types with Planet BT

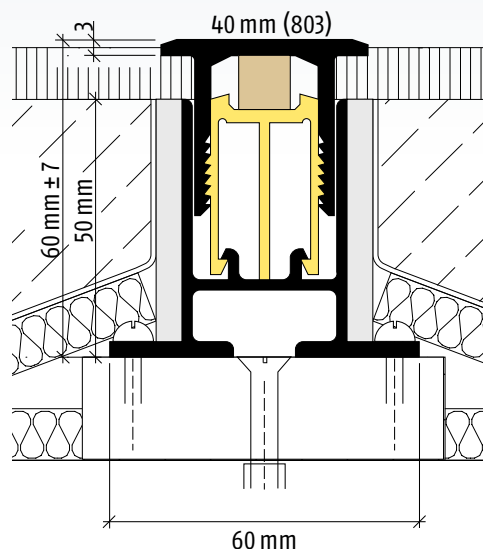


## More functions



## Technical specifications

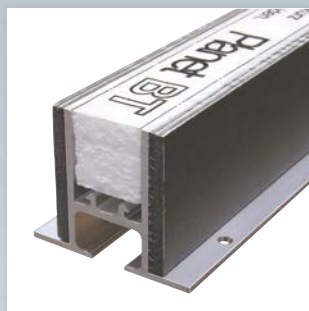
Profile material	aluminum, width → 40 mm or 60 mm
Height	adjustable from 53 up to 67 mm
Color	silver anodised EV1
Lengths in stock	750, 850, 950, 1050, 1150, 1250, 1350, 1450 mm
Special lengths	on request up to 6000 mm
Can be shortened	yes
Fastening	<b>base profile:</b> prepared holes in the base profile <b>surface element:</b> with snap-in claws



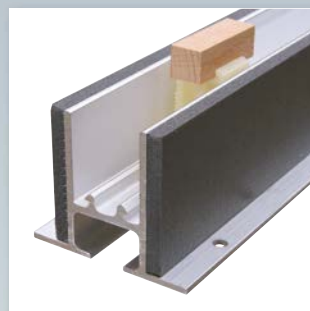
## Versions | Options | Accessories



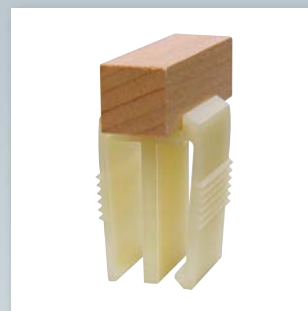
Planet BT 802 basic profile and BT 805 surface element 40 mm attached in fastening cam



Planet BT 802 basic profile with styrofoam, Prod. code 900061



Planet BT 802 basic profile with fastening cam



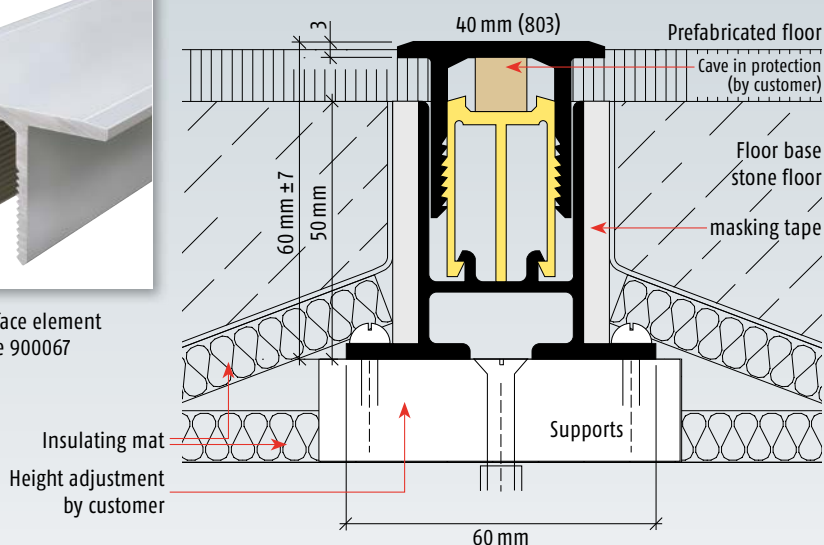
Planet BT fastening cams and wooden support to prevent the carpet to cave in, Prod. code 900064



Planet BT 805 surface element 40 mm, Prod. code 900062



Planet BT 806 surface element 60 mm, Prod. code 900067



## Order specifications

<b>Planet BT 803</b> 40 mm, complete consisting of: BT 802, 805 and fastening cam	Prod. code 45xxx*
<b>Planet BT 804</b> 60 mm, complete consisting of: BT 802, 806 and fastening cam	Prod. code 46xxx*

\* xxx = refer to price list for profile length

## Accessories | Options

<b>Planet BT fastening cam</b>	Prod. code 900064
<b>Planet BT 802</b> base profile for Planet BT 805 / 806,	Prod. code 900061 per meter
<b>Planet BT 805</b> 40 mm, surface element for Planet BT 802	Prod. code 900062 per meter
<b>Planet BT 806</b> 60 mm, surface element for Planet BT 802	Prod. code 900067 per meter

## Advertising text



### Planet BT → Floor separation threshold

Stone Floor separation threshold **Planet BT** for the best acoustic separation, from acoustic value 30 dB. Upper part Upper part from aluminum, width → **40 mm** or → **60 mm**. Simple height adjustment between → **0 up to 14 mm**.