

Floor separator sills for the best acoustic insulation from 30 dB

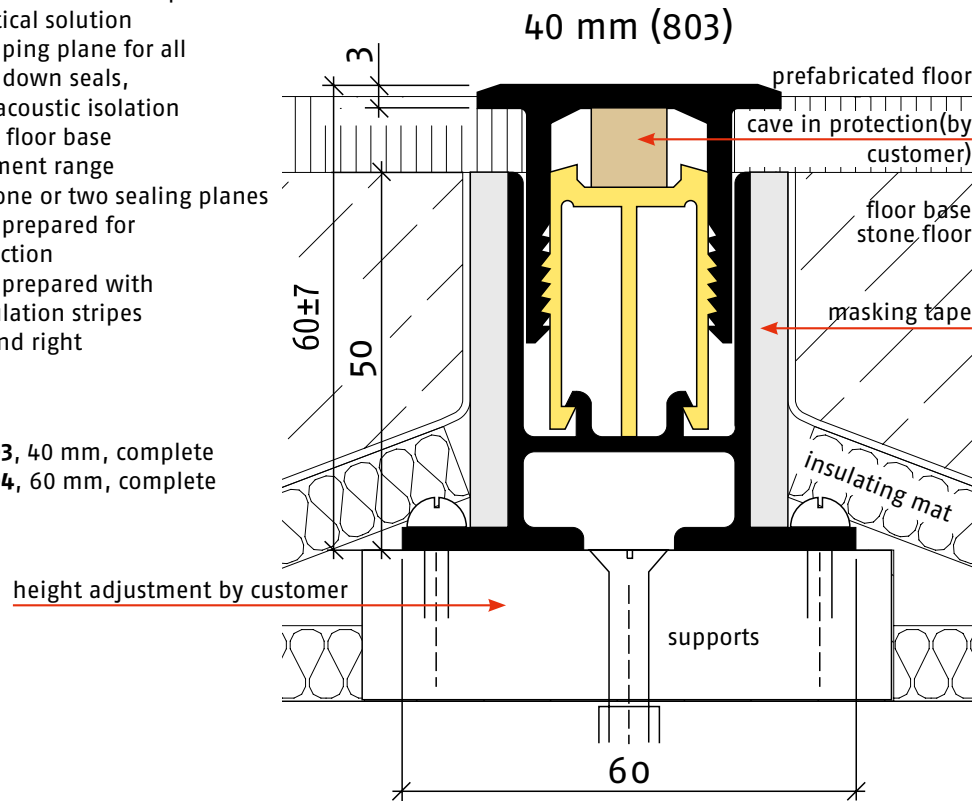
Main features

Scale 1:1

- for a perfect acoustic interruption
- very nice optical solution
- an even stopping plane for all Planet drop-down seals, for the best acoustic isolation
- is cast in the floor base
- large adjustment range
- suitable for one or two sealing planes
- basic profile prepared for mortar protection
- basic profile prepared with acoustic insulation stripes on the left and right

Executions

- Planet BT 803, 40 mm, complete
- Planet BT 804, 60 mm, complete



Advertising text

Planet BT Floor separator sills

Stone floor separator sill **Planet BT** for the best acoustic separation, from acoustic value 30 dB. Upper part Upper part from aluminum, width 40 or 60 mm. Simple height adjustment between 0 and 14 mm.

Technical specifications

Profile material:	aluminum, width 40 or 60 mm
Height:	adjustable from 53 up to 67 mm
Color:	EV1 colorless anodized
Lengths in stock:	750, 850, 950, 1050, 1150, 1250, 1350, 1450 mm
Special lengths:	up to 6000 mm on request
can be shortened:	yes
Fastening:	base profile: prepared holes in the base profile toothed flat insert with snap-in claws

Floor separator sills for the best acoustic insulation from 30 dB

Order specification

- **Planet BT 803**, 40 mm, complete consisting of:
BT 802, 805 and retaining cam
Part number 45 xxx*
- **Planet BT 804**, 60 mm, complete consisting of:
BT 802, 806 and retaining cam
Part number 46 xxx*

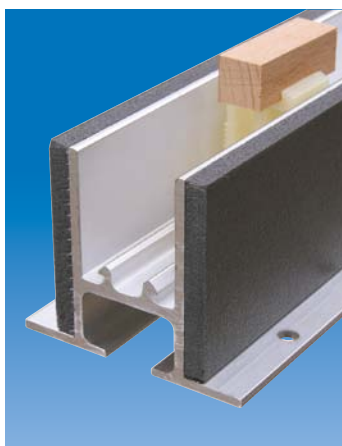
*xxx = refer to price list for profile lengths

Accessories / options

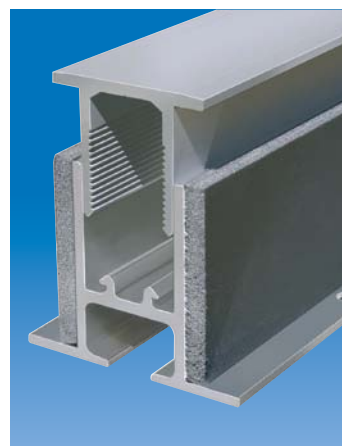
- **Planet BT retaining cam**
Part number 900 064
- **Planet BT 802**, base profile for **Planet BT 805/806**, per meter
Part number 900 061
- **Planet BT 805**, 40 mm, flat toothed insert for **Planet BT 802**, per meter
Part number 900 062
- **Planet BT 806**, 60 mm, flat toothed insert for **Planet BT 802**, per meter
Part number 900 067



Planet BT 802 basic profile with styrofoam, Part number 900 061



Planet BT 802 basic profile with retaining cam



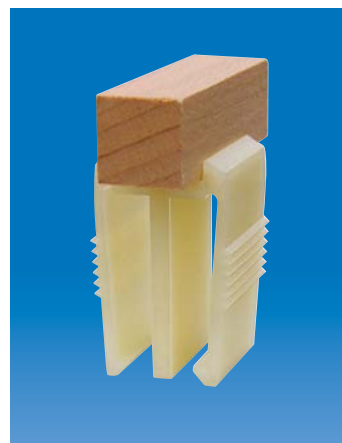
Planet BT 802 basic profile and BT 805 surface element 40 mm attached in retaining cam



Planet BT 805 surface element 40 mm, Part number 900 062



Planet BT 806 surface element 60 mm, Part number 900 067



Planet BT retaining cams and wooden support to prevent the carpet to cave in, Part number 900 064