



CE
0425
MADE IN ITALY



**Locks for
fire resistant
doors**





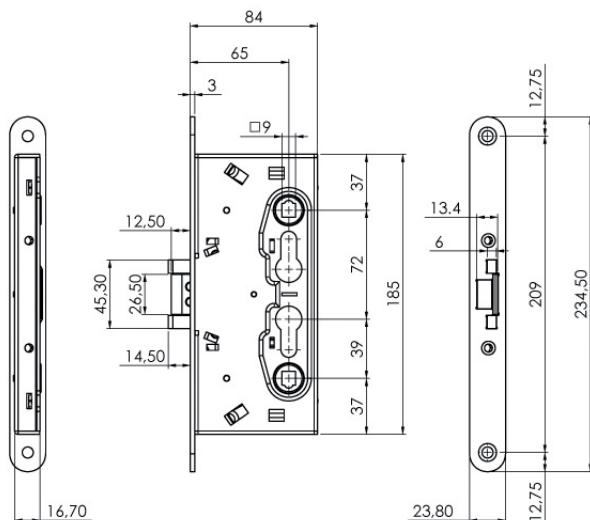
Code

Status
Single
package

Multiple
package

Min. ord.

Locks for fire resistant doors



LOCK FOR LEFT- AND RIGHT-HANDED FIRE RESISTANT DOORS.

1 lateral point, deadbolt and latchbolt.

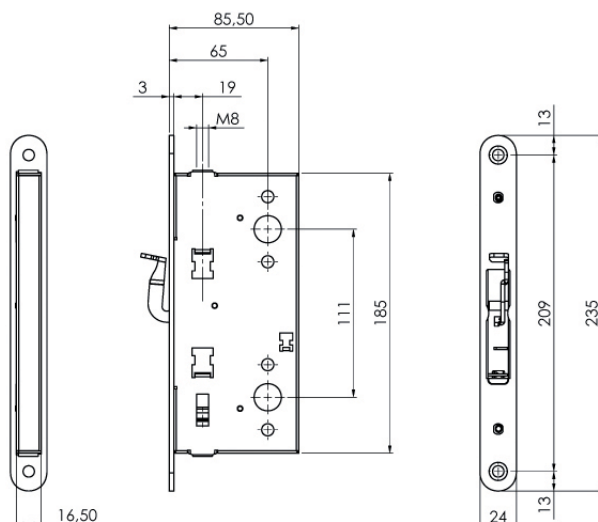
External and internal: the key operates both the deadbolt and latchbolt, the handle operates the latchbolt only.

Front plate rounded, mm 24x3, zinc-plated.

Handle follower mm 9. Distance mm 72. Backset mm 65.

Single packaging

216120654 D 1 10 10



COUNTERLOCK FOR LEFT- AND RIGHT-HANDED FIRE RESISTANT DOORS.

FLUSH BOLT function for secondary leaf, operation: rods operated by lever on front plate.

Front plate rounded, mm 24x3, zinc-plated. The threaded rods are connected to the lock by screwing them inside the self fixing connection nut. Rods projection mm 17.

Backset mm 65.

Usable with locks 216***, 214***.

Single packaging

212000654 D 1 10 10

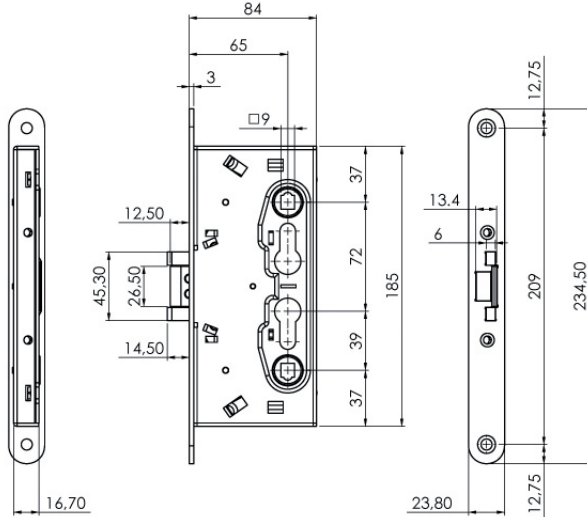


Code

Multiple
package
Single
package
Status

Min. ord.

Panic exit mortise locks



LOCK FOR LEFT- AND RIGHT-HANDED FIRE RESISTANT PANIC EXIT DOORS (EXTERNAL FIXED KNOB).

1 lateral point, deadbolt and latchbolt.

Internal: deadbolt and latchbolt operated by the panic exit device, by the handle or by the key

External: the key operates both the deadbolt and the latchbolt.

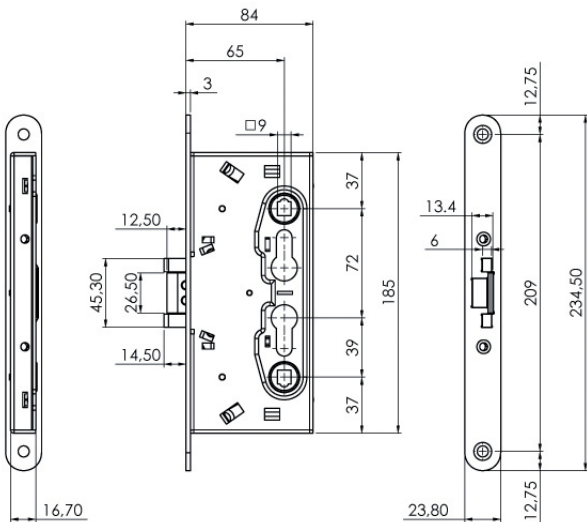
Front plate rounded, mm 24x3, zinc-plated.

Panic exit one-piece follower mm 9. Distance mm 72. Backset mm 65.

Usable with panic exit devices art. 94900005027* - 9449****829.

Single packaging

214140654 D 1 10 10



LOCK FOR LEFT- AND RIGHT-HANDED FIRE RESISTANT PANIC EXIT DOORS (EXTERNAL HANDLE).

1 lateral point, deadbolt and latchbolt.

Internal: deadbolt and latchbolt operated by the panic exit device, by the handle or by the key

External: the key operates both the deadbolt and the latchbolt, handle operates latchbolt only.

Front plate rounded, mm 24x3, zinc-plated.

Panic exit two-piece follower mm 9. Distance mm. 72. Backset mm 65

Usable with panic exit devices art. 94900005027* - 9449****829.

Single packaging

214120654 D 1 10 10



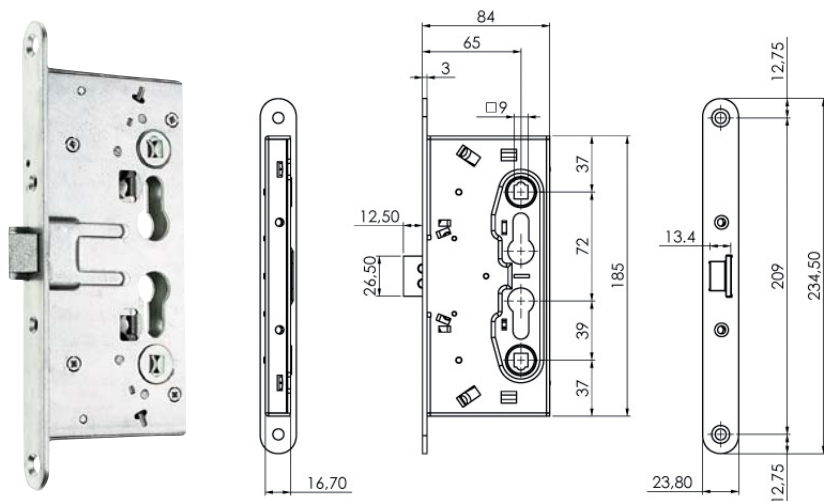
Code

Status
Single
package

Multiple
package

Min. ord.

Panic exit mortise locks



LOCK FOR LEFT- AND RIGHT-HANDED FIRE RESISTANT PANIC EXIT DOORS (EXTERNAL HANDLE).

1 lateral point, latchbolt only.

Internal: latchbolt operated by the panic exit device, by the handle or by the key

**External: latchbolt operated by the key and by the handle
handle operates latchbolt only if enabled by the key**

Front plate rounded, mm 24x3, zinc-plated.

Panic exit two-piece follower mm 9. Distance mm. 72. Backset mm 65.

Usable with panic exit devices art. 94900005027* - 9449***829.

Single packaging

214110654

D 1 10 10



Code

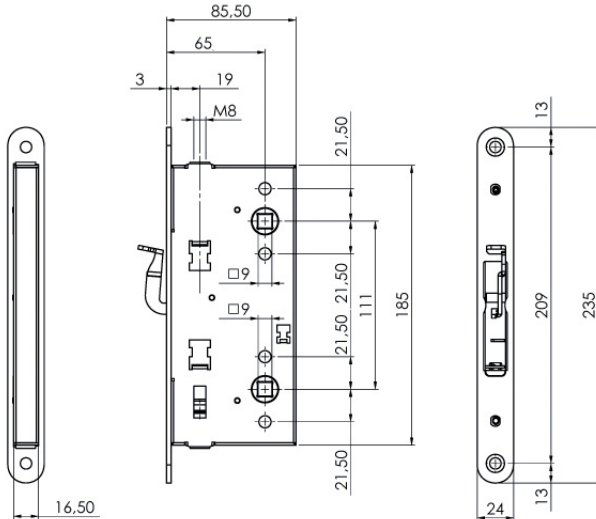
Status

Single
package

Multiple
package

Min. ord.

Counterlocks for fire resistant panic exit doors



COUNTERLOCK SUITABLE FOR USAGE ON REVERSIBLE FIRE RESISTANT PANIC EXIT DOORS.

Can be used on left- and right-handed doors

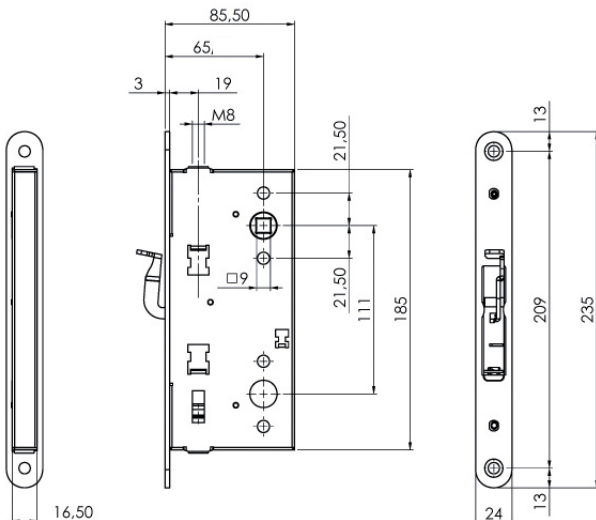
FLUSH BOLT and PANIC EXIT function for secondary leaf, **operation: the panic exit device operates the rods and releases the latchbolt of the lock in the main leaf, the lever on the front plate operates the rods.**

Front plate rounded, mm 24x3, zinc-plated. The threaded rods are connected to the lock by screwing them inside the self fixing connection nut. Rods projection mm 17. Backset 65 mm.

Usable with locks 214***

Single packaging

212600654 D 1 10 10



COUNTERLOCK SUITABLE FOR USAGE ON FIRE RESISTANT PANIC EXIT DOORS.

Can be used on left- and right-handed doors

FLUSH BOLT and PANIC EXIT function for secondary leaf, **operation: the panic exit device operates the rods and releases the latchbolt of the lock in the main leaf, the lever on the front plate operates the rods.**

Front plate rounded, mm 24x3, zinc-plated. The threaded rods are connected to the lock by screwing them inside the self fixing connection nut. Rods projection mm 17. Backset 65 mm.

Usable with locks 214***

single packaging

212700654 D 1 10 10

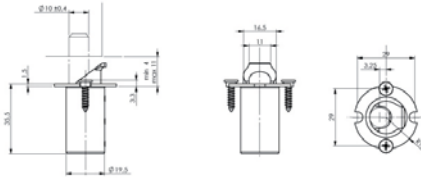
Code
Status
Single
package
Multiple
package
Min. ord.

Accessories



Flat, heavy striking plate, with rounded edge, for panic exit mortise locks, series "PALMO".
ZINC-PLATED steel 235x24x3. For series: 216*214*

032094 B 10 - 10



Automatic relatching device for secondary leaf

032144 D - 10 10



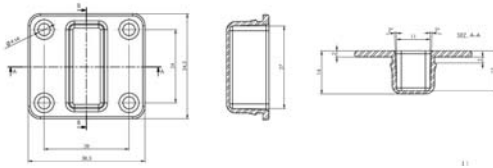
Distance plate for automatic relatching device

mm 1

032714 D - 10 10

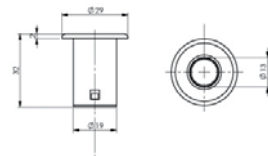
mm 2

032724 D - 10 10



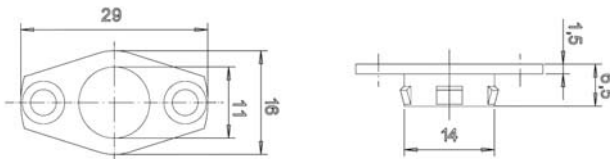
Rod hasp top for secondary leaf

032154 D - 10 10



Floor strike cup for secondary leaf

032164 D - 10 10



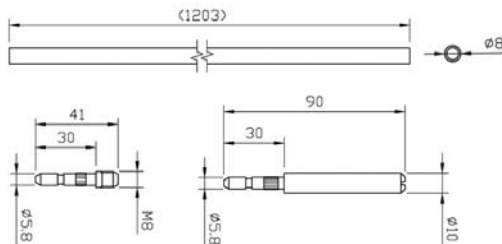
Rod hasp bottom for secondary leaf

032174 D - 10 10



**Steel plate for bottom rod hasp, to be fixed
on reversible secondary leaves**

032704 D - 10 10



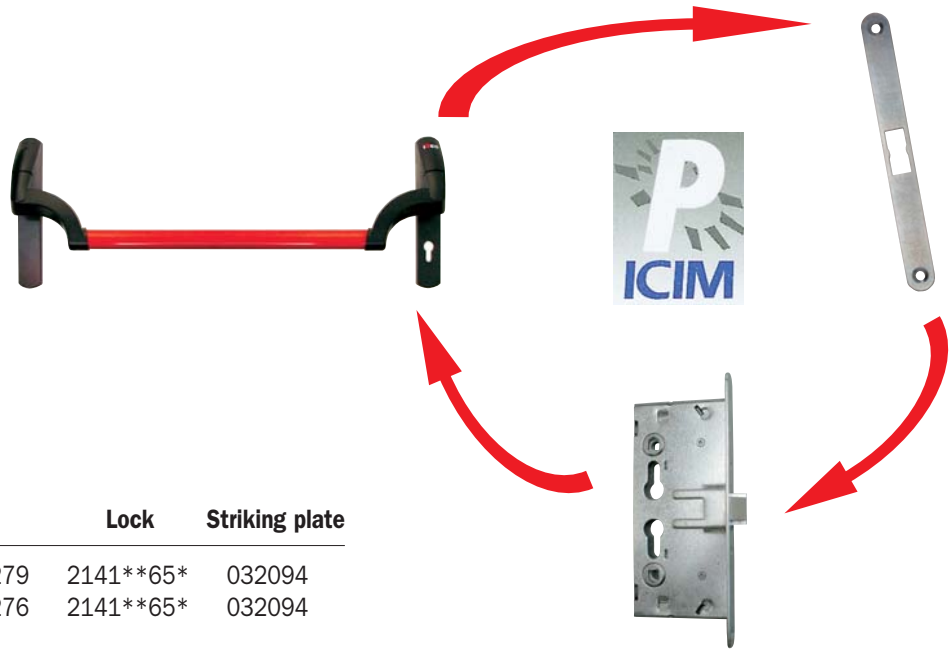
Zinc-plated rods for counterlock/flush bolt

032184 D 1 - 1



Palmo for main leaf

The panic exit device for fire resistant doors with mortise lock is made up of a horizontal bar which operates the locking mechanism through the handle follower. The operation of the bar causes the rotation of the handle follower, unlocks the lock and opens the door. Reversible mechanism for usage on right or left handed doors. All versions can be used with a microswitch that signals door openings.



Bar	Lock	Striking plate
949000050279	2141**65*	032094
949000050276	2141**65*	032094

ATTESTATO DI CONFORMITÀ DIRETTIVA 89/106/CEE CERTIFICATE OF CONFORMITY DIRETTIVE 89/106/CEE		CE 0425
Questo certificato è rilasciato in conformità a quanto prescritto dall'Art.8 par.2 lettera b) del DPR 21 aprile 1983, n°246 (Direttiva 89/106/CEE) ed attesta la conformità del prodotto di seguito identificato agli Art.1, Art.2 ed allegato A del DPR 21 aprile 1983, n°246 (Direttiva 89/106/CEE)		
This certificate has been issued in conformity to what prescribed by the Art.8 par.2 letter b) of the DPR 21/04/1983, n°246 (Directive 89/106/CEE) and certifies the conformity of the product described below to the Art.1, Art.2 and attachment A of DPR 21/04/1983, n°246 (Directive 89/106/CEE)		
ATTESTATO N°	1169 - CPD - 2006	CERTIFICATE N°
Organismo notificato	ICIM S.p.A. - Piazza Don E. Mapelli, 75 - 20099 SESTO SAN GIOVANNI (MI) - ITALY	Notified Body
Dati Fabbricante	ISEO SERRATURE S.p.A. Via San Girolamo, 13 - 25855 PISOGNE (BS) ITALY	Manufacturer
Sede legale	ISEO SERRATURE S.p.A. Via San Girolamo, 13 - 25855 PISOGNE (BS) ITALY	Head office
Unità operativa		Operative unit
Dati prodotto		Product
Tipologia	DISPOSITIVI ANTIPANICO PER USCITE DI SICUREZZA AZIONATI MEDIANTE UNA BARRA ORIZZONTALE PANIC EXIT DEVICES	Type
Denominazione	Serie "PALMO" Modelli/Models: 9490000*0279 + 9459** + 214654*** + 032094 + 2141**65*, 9490000*0276 + 9459** + 214654*** + 032094 + 2141**65*	Denomination
Accessori/Accessories:	94100160	
Sistema di attestazione della conformità	1	Attestation of conformity
Norma di riferimento	EN 1125:2008	Standard
Classificazione	3 7 6 B 1 4 2 2 A A	Classification
Eventuali estensioni	Nessuna / None	Extensions
Eventuali condizioni di subordinazione della Certificazione CE	Nessuna / None	Possible conditions of subordination of the CE Certification
Il presente attestato è valido esclusivamente per il prodotto indicato. Eventuali varianti da apportare devono essere approvate da ICIM S.p.A. The present issue is valid only for the product described above. Possible changes to be brought in have to be approved by ICIM S.p.A.		
Data di emissione First issue	16/11/2006	
Emissione corrente Current issue	02/03/2010	
Data di scadenza Expiring date	15/11/2016	
		ICIM S.p.A. Il Presidente Ing. Tullio Badino

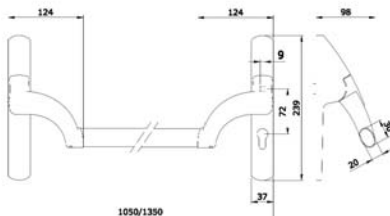
SINCERT		CERTIFICAZIONE DI PRODOTTO PRODUCT CERTIFICATION
CERTIFICATO N° CERTIFICATE N°		
098AD/1		
NOMIA CONCLUSIONE DEL SERVIZIO TECNICO SINCERT S.p.A. PER LA AUTENTICAZIONE TOUSSEIL COMPANY OF COMPANY		
ALL ACCESSORY TO THE TYPE		
ISEO SERRATURE S.p.A. Via San Girolamo, 13 PISOGNE (BS) ITALY		
UNITE OPERATIVE / OPERATIVE UNITS		
PER I SEGUENTI PRODOTTI / FOR THE FOLLOWING PRODUCTS		
DISPOSITIVI ANTIPANICO PER USCITE DI SICUREZZA AZIONATI MEDIANTE UNA BARRA ORIZZONTALE PANIC EXIT DEVICES		
CON DENOMINAZIONE COMPLESSIVA / WITH TRADE NAME		
serie PALMO		
mod. 9490000*0279 + 9459** + 214654*** + 032094 + 2141**65*, 9490000*0276 + 9459** + 214654*** + 032094 + 2141**65*		
ACCESSORI mod. 94100160		
CONFORMITÀ ALLE NORME ED AL DOCUMENTO NORMATIVO ICIM IN CONFORMITÀ CON I REQUISITI EN 1125:2008		
UNI EN 1125:08 - ICIM 70R010		
CON CLASSIFICAZIONE / WITH CLASSIFICATION		
3 7 6 B 1 4 2 2 A A		
L'azienda deve utilizzare il marchio di conformità ICIM in relazione al Regolamento ICIM per la certificazione dei prodotti. The firm must use the ICIM mark of conformity for the products according to ICIM Regulation for products certification.		
Prima Emissione First issue	16/11/2006	
Emissione corrente Current issue	18/02/2010	
Data di scadenza Expiring date	15/11/2012	
		ICIM S.p.A. Il Presidente Ing. Tullio Badino

The ICIM certification as per EN1125 is only valid if the operating bars listed in this page are used in conjunction with Iseo locks and striking plates, as indicated in the table. Whoever uses a certified panic exit device in conjunction with locks/counterlocks/accessories and/or striking plates different from the ones specified by Iseo shall be responsible for compliance with EN 1125.



Code
Status
Single package
Multiple package
Min. ord.

Palmo for main leaf

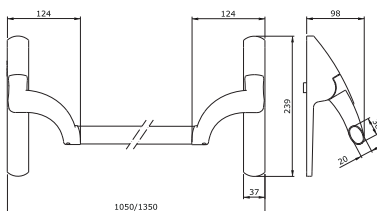


“PALMO” panic exit device for FIRE RESISTANT doors, **FOR MAIN LEAF, REVERSIBLE**, can be used with panic exit mortise locks with 9 mm handle follower, **WITH CYLINDER HOLE**. Center distance mm 72, with handle follower rotation **20°**. BLACK painted mechanism. Templates. Assembly instructions. SQUARE SPINDLE NOT INCLUDED. CE EN1125 mark and ICIM product certification.

Accessories to be ordered separately:

- Panic exit lock 2141**65*
- Bar 9459*
- Striking plate 032094
- Kit of thermoexpanding gaskets 94000020
- Square spindle 947910 - 947920
- With cylinder hole

949000050279 A 1 - 1



“PALMO” panic exit device for FIRE RESISTANT doors, **FOR MAIN LEAF, REVERSIBLE**, can be used with panic exit mortise locks with 9 mm handle follower, **WITHOUT CYLINDER HOLE**, with handle follower rotation **20°**. Black painted mechanism. Templates. Assembly instructions. SQUARE SPINDLE NOT INCLUDED. CE EN1125 mark and ICIM product certification.

Accessories to be ordered separately:

- Panic exit lock 2141**65*
- Bar 9459*
- Striking plate 032094
- Kit of thermoexpanding gaskets 94000020
- Square spindle 947910 - 947920
- Without cylinder hole

949000050276 C 1 - 1

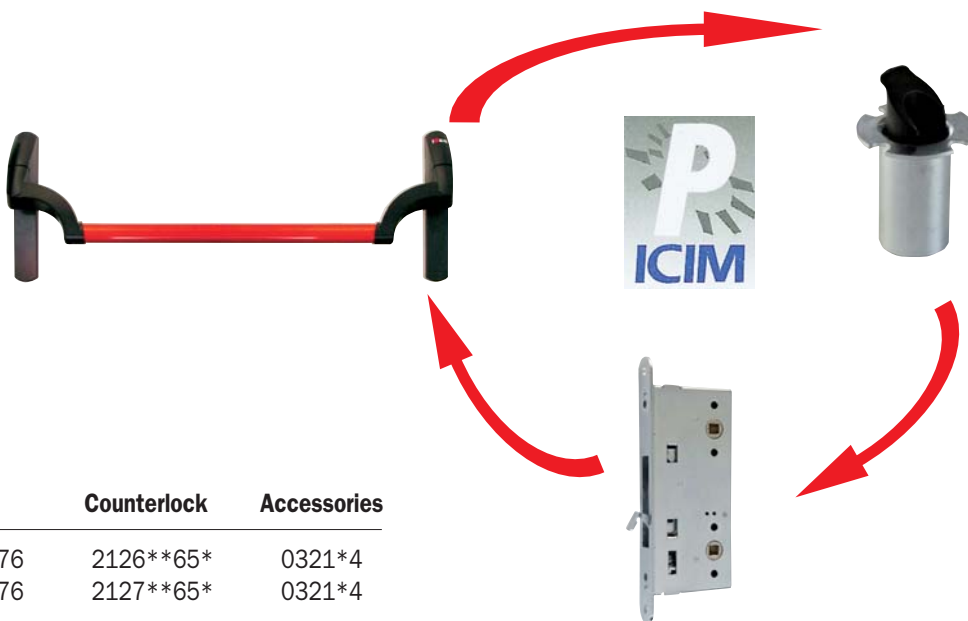
The ICIM certification as per EN1125 is only valid if the operating bars listed in this page are used in conjunction with Iseo locks and striking plates, as indicated in the table on the previous page.



Palmo for secondary leaf

The panic exit device for fire resistant doors with mortise counterlock is made up of a horizontal bar which operates the locking mechanism through the handle follower.

The operation of the bar causes the rotation of the handle follower of the counterlock, by which the upper and the lower rod will move inside, the latchbolt of the panic exit lock in the main leaf will be released and both leaves can be opened. Reversible mechanism for usage on right or left handed doors. All versions can be used with a microswitch that signals door openings.



Bar	Counterlock	Accessories
949000050376	2126**65*	0321*4
949000050376	2127**65*	0321*4

ATTESTATO DI CONFORMITÀ DIRETTIVA 89/106/CEE CERTIFICATE OF CONFORMITY DIRETTIVE 89/106/CEE		CE 0425
Questo certificato è rilasciato in conformità a quanto previsto dall'Art.8 par.2 lettera b) del DPR 21 aprile 1983, n°248 (Direttiva 89/106/CEE) ed attesta la conformità del prodotto di seguito identificato agli Art.1, Art.2 ed allegato A del DPR 21 aprile 1983, n°248 (Direttiva 89/106/CEE). This certificate has been issued in conformity to what prescribed by the Art.8 par.2 letter b) of the DPR 21/04/1983, n°248 (Directive 89/106/EEC) and certifies the conformity of the product described below to the Art.1, Art.2 and attachment A of DPR 21/04/1983, n°248 (Directive 89/106/EEC)		
ATTESTATO N°	2150 - CPD - 2010	CERTIFICATE N°
Organismo notificato	ISEO SERRATURE S.p.A. - Piazza Don E. Mapelli, 75 - 20099 SESTO SAN GIOVANNI (MI) - ITALY	Notified Body
Dati Fabbricante	ISEO SERRATURE S.p.A. Via San Girolamo, 13 - 25055 PISOGNE (BS) ITALY	Manufacturer
Sede legale	ISEO SERRATURE S.p.A. Via San Girolamo, 13 - 25055 PISOGNE (BS) ITALY	Head office
Unità operativa		Operative unit
Dati prodotto		Product
Tipologia	DISPOSITIVI ANTIPANICO PER USCITE DI SICUREZZA AZIONATI MEDIANTE UNA BARRA ORIZZONTALE PANIC EXIT DEVICES	Type
Denominazione	Serie PALMO anta secondaria Series PALMO inactive leaf	Denomination
Modelli/Models:	9490000**37* + 9459** + 2126**65* + 0321** 9490000**37* + 9459** + 2127**65* + 0321**	
Sistema di attestazione della conformità	1	Attestation of conformity
Norma di riferimento	EN 1125:2008	Standard
Classificazione	3 7 6 B 1 4 2 2 A C	Classification
Eventuali estensioni	Nessuna / None	Extensions
Eventuali condizioni di subordinazione della Certificazione CE	Nessuna / None	Possible conditions of subordination of the CE Certification
Il presente attestato è valido esclusivamente per il prodotto indicato. Eventuali varianti da apportare devono essere approvate da ICM S.p.A. The present issue is valid only for the product described above. Possible changes to be brought in have to be approved by ICM S.p.A.		
Data di emissione First issue	15/03/2010	Emissione corrente Current issue
	05/05/2010	Data di scadenza Expiring date
	15/03/2020	
		ICIM S.p.A. Il Presidente Ing. Tullio Badino

SINCERT		CERTIFICAZIONE DI PRODOTTO PRODUCT CERTIFICATION
PER I SEGUENTI PRODOTTI / FOR THE FOLLOWING PRODUCTS		
DISPOSITIVI ANTIPANICO PER USCITE DI SICUREZZA AZIONATI MEDIANTE UNA BARRA ORIZZONTALE PANIC EXIT DEVICES		
CON DENOMINAZIONE COMERCIALE / WITH TRADE NAME:		
Serie PALMO anta secondaria Series PALMO inactive leaf		
Modelli / Models 9490000**37* + 9459** + 2126**65* + 0321** 9490000**37* + 9459** + 2127**65* + 0321**		
CONFORMITÀ ALLA NORMA ED AL DOCUMENTO NORMATIVO ICM IN COMPLIANCE WITH THE STANDARD AND WITH ICM NORMATIVE DOCUMENT		
UNI EN 1125-08 - ICM 70R010		
CON CLASSIFICAZIONE / WITH CLASSIFICATION		
3 7 6 B 1 4 2 2 A C		
Prima Emissione First issue	15/03/2010	Emissione corrente Current issue
	05/05/2010	Data di scadenza Expiring date
	14/03/2013	
		ICIM S.p.A. Il Presidente Ing. Tullio Badino

The ICIM certification as per EN1125 is only valid if the operating bars listed in this page are used in conjunction with Iseo counterlocks and accessories, as indicated in the table. Whoever uses a certified panic exit device in conjunction with locks/counterlocks/accessories and/or striking plates different from the ones specified by Iseo shall be responsible for compliance with EN 1125.



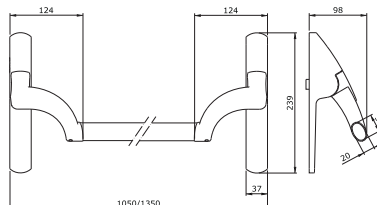
Code

Status
Single package

Multiple package

Min. ord.

Palmo for secondary leaf



“**PALMO**”panic exit devicer for FIRE RESISTANT doors, **FOR SECONDARY LEAF, REVERSIBLE**, to be used with mortise counterlock with 9 mm handle follower, **WITHOUT CYLINDER HOLE**, with handle follower rotation **30°**. BLACK painted mechanism. Templates. Assembly instructions. SQUARE SPINDLE NOT INCLUDED. CE EN1125 mark and ICIM product certification.

Accessories to be ordered separately:

Counterlock 2126**65* / Counterlock 2127**65*

Bar 9459*

Kit of thermoexpanding gaskets 94000020

Accessories 0321*4

Square spindle 947930

Without cylinder hole

949000050376 D 1 - 1

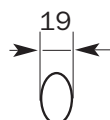
The ICIM certification as per EN1125 is only valid if the operating bars listed in this page are used in conjunction with Iseo counterlocks and accessories, as indicated in the table on the previous page.

Code
Status
Single package
Multiple package
Min. ord.

Accessories



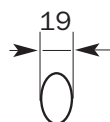
Horizontal oval bar for panic exit devices "PALMO" **SERIES 9490** Length mm **1130**



	Stainless steel	945922	A	1	-	1
	Painted grey	945923	B	1	-	1
	Painted white	945924	C	1	-	1
	Painted black	945925	C	1	-	1
	Painted red	945928	A	1	-	1
	Painted green	945929	D	1	-	1



Horizontal oval bar for panic exit devices "PALMO" **SERIES 9490** Length mm **1330**



	Stainless steel	945932	A	1	-	1
	Painted red	945938	A	1	-	1



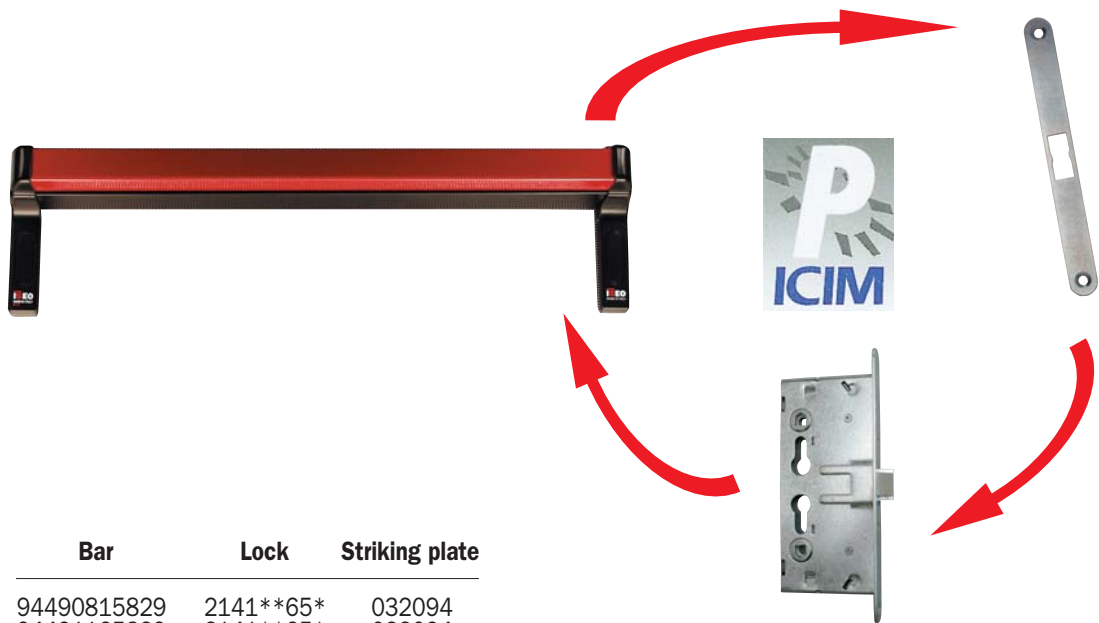
Microswitch, to be fitted in the "PALMO" **SERIES 9490** panic exit devices.

Can be used in conjunction with security systems. Fixing screws. Instructions sheet. **94100160** D 1 - 1



Push-Palmo for main leaf

The panic exit device for fire resistant doors with mortise lock is made up of a horizontal bar which operates the locking mechanism through the handle follower. The operation of the bar causes the rotation of the handle follower, unlocks the lock and opens the door. Supplied in sizes mm 811 and 1161, shortenable to mm 330, mechanism for usage on right- or left-handed doors. All versions can be used with a microswitch that signals door openings.



Bar	Lock	Striking plate
94490815829	2141**65*	032094
94491165829	2141**65*	032094

ATTESTATO DI CONFORMITÀ
DIRETTIVA 89/106/CEE
CERTIFICATE OF CONFORMITY
DIRETTIVE 89/106/CEE

Questo certificato è rilasciato in conformità a quanto prescritto dall'Art.6 par.2 lettera b) del DPR 21 aprile 1993, n°246 (Direttiva 89/106/CEE) ed attesta la conformità del prodotto di seguito identificato agli Art.1, Art.2 ed allegato A del DPR 21 aprile 1993, n°246 (Direttiva 89/106/CEE).
This certificate has been issued in conformity to what prescribed by the Art.6 par.2 letter b) of the DPR 21 April 1993, n°246 (Directive 89/106/CEE) and certifies the conformity of the product described below to the Art.1, Art.2 and attachment A of DPR 21 April 1993, n°246 (Directive 89/106/CEE)

ATTESTATO N°	2152 - CPD - 2010	CERTIFICATE N°	
Organismo notificato	ICIM S.p.A. - Piazza Don E. Mapelli, 75 - 20099 SESTO SAN GIOVANNI - MILANO (ITALY)	Notified Body	Identification N°: 0425
Dati Fabbricante	ISEO SERRATURE S.p.A. Via San Girolamo, 13 - 25055 PISOGNE (BS) ITALY	Manufacturer	Head office
Sede legale	ISEO SERRATURE S.p.A. Via San Girolamo, 13 - 25055 PISOGNE (BS) ITALY	Operative unit	
Dati prodotto	Tipologia: DISPOSITIVI ANTIPANICO PER USCITE DI SICUREZZA AZIONATI MEDIANTE UNA BARRA ORIZZONTALE PANIC EXIT DEVICES Denominazione: Serie PUSH-PALMO anta principale Serie PUSH-PALMO active leaf mod. I 9449070529* + 214654*** + 2141**65* 94490815829 + 214654*** + 032094 + 2141**65* 94491165829 + 214654*** + 032094 + 2141**65* ACCESSORI: 944906029 + 944906030		
Sistema di attestazione della conformità	1	Attestation of conformity	
Norma di riferimento	EN 1125-2008	Standard	
Classificazione	3 7 6 B 1 4 2 B A	Classification	
Eventuali estensioni	Nessuna / None	Extensions	
Eventuali condizioni di subordinazione della Certificazione CE	Nessuna / None	Possible conditions of subordination of the CE Certification	
Data di emissione / First issue	15/04/2010	Emisione corrente / Current issue	17/05/2010
Data di scadenza / Expiry date	14/04/2020	Il Presidente / The President	Ing. Tullio Badino

SINCERT
CERTIFICAZIONE DI PRODOTTO
PRODUCT CERTIFICATION

CERTIFICATO N°
CERTIFICATE N°
004AD/3

ISEO SERRATURE S.p.A.
Via San Girolamo, 13
PISOGNE (BS) ITALY

DISPOSITIVI ANTIPANICO PER USCITE DI SICUREZZA AZIONATI MEDIANTE UNA BARRA ORIZZONTALE PANIC EXIT DEVICES

serie PUSH-BAR
mod. I 9444084**T, 9444117**T, 9444130**T

serie PUSH-TRONIC
mod. I 9444084**E, 9444117**E, 9444084**E, 9444117**E

serie PUSH-PALMO
mod. I 9449070529* + 214654*** + 032094 + 2141**65*, 94490815829 + 214654*** + 032094 + 2141**65*, 94491165829 + 214654*** + 032094 + 2141**65*

ACCESSORI 944906029, 944906030, 944906030, 944906030, 94100117, 94100112

UNI EN 1125-08 - ICIM 70R010

3 | 7 | 6 | B | 1 | 4 | 2 | B | A

Prima Emisione / First issue: 20/01/2000
Emisione corrente / Current issue: 18/02/2010
Data di scadenza / Expiry date: 19/01/2012
Il Presidente / The President: Ing. Tullio Badino

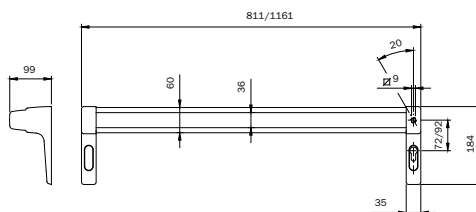
The ICIM certification as per EN1125 is only valid if the operating bars listed in this page are used in conjunction with Iseo locks and striking plates, as indicated in the table.

Whoever uses a certified panic exit device in conjunction with locks/counterlocks/accessories and/or striking plates different from the ones specified by Iseo shall be responsible for compliance with EN 1125.



Code
Status
Single package
Multiple package
Min. ord.

Push-Palmo for main leaf



“**PUSH PALMO**” panic exit device for FIRE RESISTANT doors, **FOR MAIN LEAF, REVERSIBLE**, to be used with a panic exit mortise lock. **CENTER DISTANCE 72. WITH CYLINDER HOLE**, with handle follower rotation **20°**. Mechanism in red/black painted finish. Cover for 72 mm. Templates. Assembly instructions. SQUARE SPINDLE NOT INCLUDED. CE EN1125 mark and ICIM product certification.

To be ordered separately:

Panic exit lock 2141**65*

Striking plate 032094

Kit of thermoexpanding gaskets 9400020

Microswitch 94400030.

Square spindle 947910 - 947920

Length mm 811

94490815829 A 1 - 1

Length mm 1161

94491165829 B 1 - 1



Microswitch detecting door openings, to be fitted in the “**PUSH PALMO**” **SERIES 9449** mechanism.

Can be used in conjunction with security systems. Instructions sheet.

94400030 D 1 - 1



Cover with hole for European profile cylinder for “**PUSH PALMO**” bars **SERIES 9449**

for panic exit mortise locks with **center distance 72/92 mm**. In BLACK painted zinc diecast.

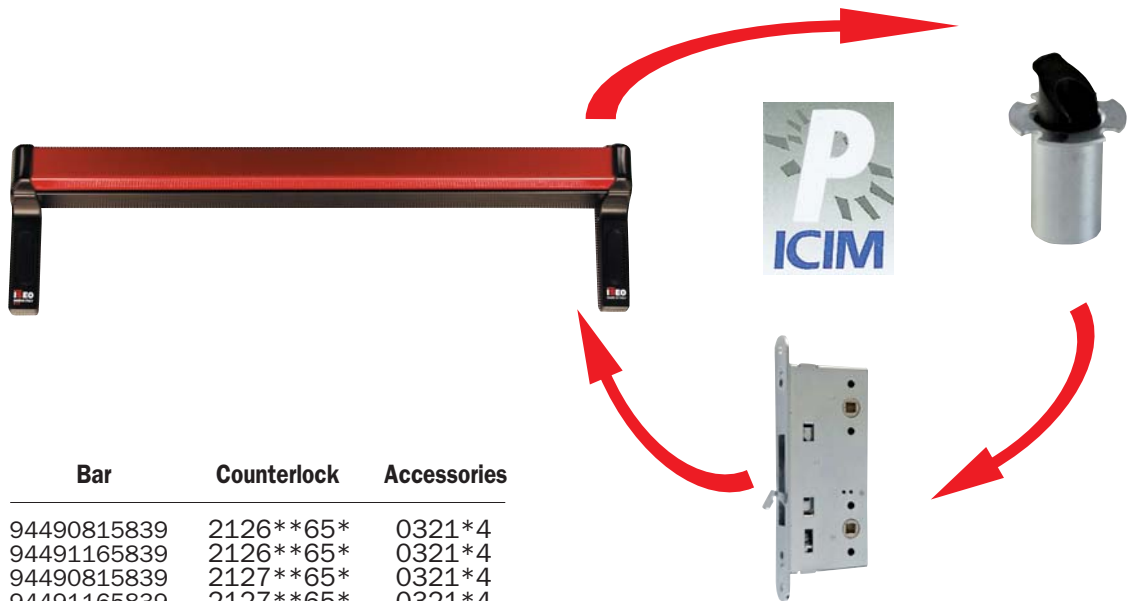
040840 D 10 - 10

The ICIM certification as per EN1125 is only valid if the operating bars listed in this page are used in conjunction with Iseo locks and striking plates, as indicated in the table on the previous page.



Push-Palmo for secondary leaf

The panic exit device for fire resistant doors with mortise counterlock is made up of a horizontal bar which operates the locking mechanism through the handle follower. The operation of the bar causes the rotation of the handle follower of the counterlock, by which the upper and lower rod will move inside, the latchbolt of the panic exit lock in the main leaf will be released and both leaves can be opened. Supplied in sizes mm 811 and 1161, shortenable to mm 330, reversible mechanism in red/black finish for usage on right- or left-handed doors. All versions can be used with a microswitch that signals door openings.



Bar	Counterlock	Accessories
94490815839	2126**65*	0321*4
94491165839	2126**65*	0321*4
94490815839	2127**65*	0321*4
94491165839	2127**65*	0321*4

ATTESTATO DI CONFORMITÀ
DIRETTIVA 89/106/CEE
CERTIFICATE OF CONFORMITY
DIRETTIVE 89/106/CEE

Questo certificato è rilasciato in conformità a quanto prescritto dall'Art. 5 par. 2 lettera b) del DPR 21 aprile 1983, n°248 (Direttiva 89/106/CEE) ed attesta la conformità del prodotto di seguito identificato agli Art. 1, Art.2 ed allegato A del DPR 21 aprile 1983, n°248 (Direttiva 89/106/CEE).
This certificate has been issued in conformity to what prescribed by the Art.5 par.2 letter b) of the DPR 21/04/1983, n°248 (Directive 89/106/EEC) and certifies the conformity of the product described below to the Art. 1, Art.2 and attachment A of DPR 21/04/1983, n°248 (Directive 89/106/EEC)

ATTESTATO N°	2151 - CPD - 2010	CERTIFICATE N°	
Organismo notificato	ICIM S.p.A. - Piazza Don E. Mapelli, 75 - 20999 SESTO SAN GIOVANNI (MI) - ITALY	Notified Body	N° d'identification: 0425
Dati fabbricante	ISEO SERRATURE S.p.A. Via San Girolamo, 13 - 25055 PISOONE (BS) ITALY	Manufacturer	Head office: Operative unit
Dati prodotto	DISPOSITIVI ANTIPANICO PER USCITE DI SICUREZZA AZIONATI MEDIANTE UNA BARRA ORIZZONTALE PANIC EXIT DEVICES	Product	Type
Denominazione	Serie PUSH-PALMO anta secondaria Series PUSH-PALMO inactive leaf	Denomination	
Modelli / Models	9449081**39 + 2126**65* + 0321** 9449116**39 + 2126**65* + 0321** 9449081**39 + 2127**65* + 0321** 9449116**39 + 2127**65* + 0321**		
Sistema di attribuzione della conformità	1	Attestation of conformity	
Norma di riferimento	EN 1125:2008	Standard	
Classificazione	3 7 6 B 1 4 2 2 B C	Classification	
Eventuali estensioni	Nessuna / None	Extensions	
Eventuali condizioni di subordinazione della Certificazione CE	Nessuna / None	Possible conditions of subordination of the CE Certification	
Data di emissione First issue	Emisione corrente Current issue	Data di scadenza Expiring date	ICIM S.p.A. Il Presidente Ing. Tullio Badino
15/03/2010	05/05/2010	15/03/2020	

SINCERT

CERTIFICAZIONE DI PRODOTTO
PRODUCT CERTIFICATION

CERTIFICATO N°
CERTIFICATE N°

126AD/0

PER LA CONFEZIONE DEL LIBRO D'USO DEL MERCATO SI CONFERMA IL COMPLETO FIDELTÀ PER LE AUTOREGGIA SULLA PIAZZA DI CONFORMITÀ ALL'ALLEGATO 1 DEL DPR 21/04/1983

ISEO SERRATURE S.p.A.
Via San Girolamo, 13
PISOONE (BS) ITALY

UNITA OPERATIVE / OPERATIVE UNITS

PER IL SEGNALINO PRODOTTO PER LE SEGUENTI PRODOTTE

DISPOSITIVI ANTIPANICO PER USCITE DI SICUREZZA AZIONATI MEDIANTE UNA BARRA ORIZZONTALE
PANIC EXIT DEVICES

CON DENOMINAZIONE COMMERCIALE E WITH TRADE NAME/S

Serie PUSH-PALMO anta secondaria
Series PUSH-PALMO inactive leaf

Modelli / Models

9449081**39 + 2126**65* + 0321**
9449116**39 + 2126**65* + 0321**
9449081**39 + 2127**65* + 0321**
9449116**39 + 2127**65* + 0321**

CONFORMITÀ ALLA NORMA CE (IL DOCUMENTO INFORMATIVO È IN CONFORMITÀ WITH PRESENTED AND WITH SUBSIDIARY DOCUMENT)

UNI EN 1125-08 - ICIM 70R010

CON CLASSIFICAZIONE / WITH CLASSIFICATION

3 | 7 | 6 | B | 1 | 4 | 2 | 2 | B | C

Il libretto deve utilizzare il marchio di conformità ICIM in conformità al Regolamento CE per la certificazione dei prodotti.
The bro. shall use ICIM mark of conformity for the products according to CEM Regulation for products certification.

Prima Emisione
First issue

Emisione corrente
Current issue

Data di scadenza
Expiring date

15/03/2010

05/05/2010

14/03/2013

ICIM S.p.A.
Il Presidente
Ing. Tullio Badino

The ICIM certification as per EN1125 is only valid if the operating bars listed in this page are used in conjunction with Iseo counterlocks and accessories, as indicated in the table. Whoever uses a certified panic exit device in conjunction with locks/counterlocks/accessories and/or striking plates different from the ones specified by Iseo shall be responsible for compliance with EN 1125.



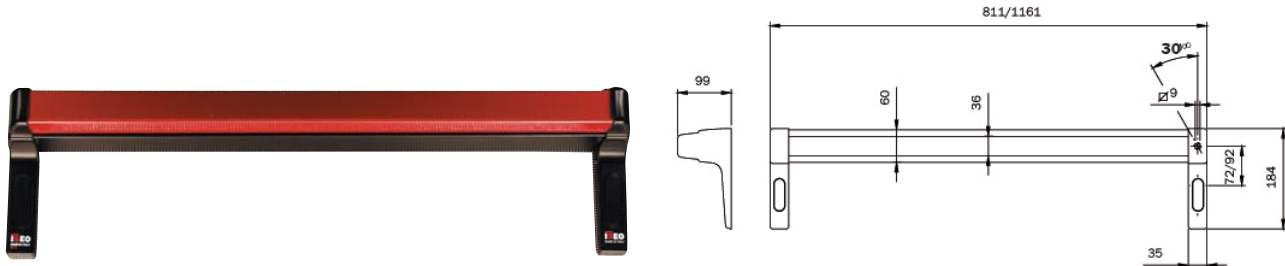
Code

Status
Single package

Multiple package

Min. ord.

Push-Palmo for secondary leaf



“**PUSH PALMO**” panic exit device for FIRE RESISTANT doors, **FOR SECONDARY LEAF, REVERSIBLE**, to be used with mortise counterlocks with 9 mm handle follower, **WITHOUT CYLINDER HOLE**, with handle follower rotation of **30°**. Mechanism in red/black painted finish. Template. Assembly instructions SQUARE SPINDLE NOT INCLUDED.

To be ordered separately:

- Counterlock 2126**65* / Counterlock 2127**65*
- Kit of thermoexpanding gaskets 94000020
- Accessories 0321*4
- Microswitch 94400030
- Square spindle 947930

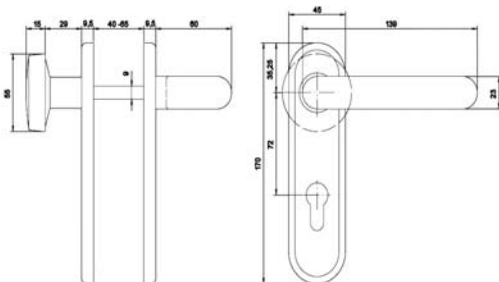
Length mm 811	94490815839	C	1	-	1
Length mm 1161	94491165839	C	1	-	1

The ICIM certification as per EN1125 is only valid if the operating bars listed in this page are used in conjunction with Iseo counterlocks and accessories, as indicated in the table on the previous page.



Code
Status
Single package
Multiple package
Min. ord.

Accessories



Handle set with knob and cylinder hole.

For fire resistant doors and panic exit fire resistant doors **EN179**.

Supplied with: handle follower mm 80, fixing screws for doors up to mm 63

With cylinder hole STAINLESS STEEL

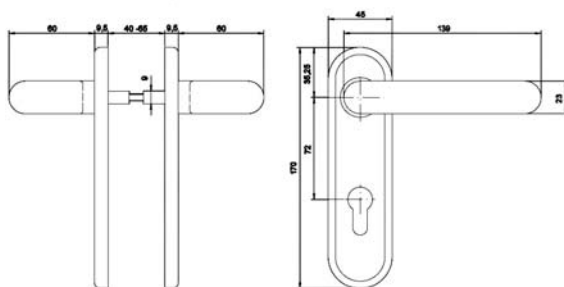
032402 D 1 30 30

With cylinder hole grey

032403 D 1 30 30

With cylinder hole black

032405 D 1 30 30



Handle set with cylinder hole.

For fire resistant doors and panic exit fire resistant doors **EN179**.

Supplied with: handle follower mm 125, fixing screws for doors up to mm 63

With cylinder hole STAINLESS STEEL

032412 D 1 30 30

With cylinder hole grey

032413 D 1 30 30

With cylinder hole black

032415 D 1 30 30

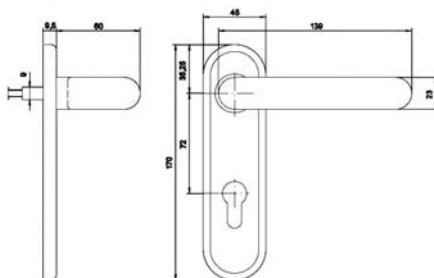


Plate with handle and cylinder hole.

For fire resistant doors and panic exit fire resistant doors.

Supplied with: fixing screws for doors up to mm 63

With cylinder hole grey

032433 D 1 30 30

With cylinder hole black

032435 D 1 30 30



Code
Status
Single package
Multiple package
Min. ord.

Accessories

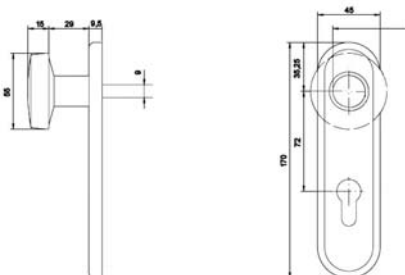
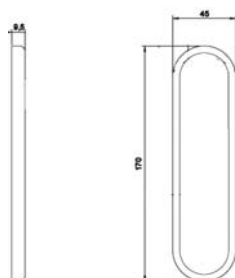


Plate with knob.
For fire resistant doors and panic exit fire resistant doors.
Supplied with: fixing screws for doors up to mm 63

With cylinder hole black	032465	D	1	30	30
Without cylinder hole grey	032423	D	1	30	30
Without cylinder hole black	032425	D	1	30	30



External plate without handle/knob.
For fire resistant doors and panic exit fire resistant doors.
Supplied with: fixing screws for doors up to mm 63

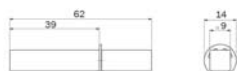
With cylinder hole black	032445	D	1	30	30
Without cylinder hole black	032455	D	1	30	30



Square spindle mm 9, length mm 125	947900	D	10	-	10
---	---------------	---	----	---	----



Splitted square spindle mm 9 mm 55/38	947910	D	10	-	10
mm 55/55	947920	D	10	-	10



Square spindle mm 9, length mm 62 , with seeger	947930	B	10	-	10
--	---------------	---	----	---	----

